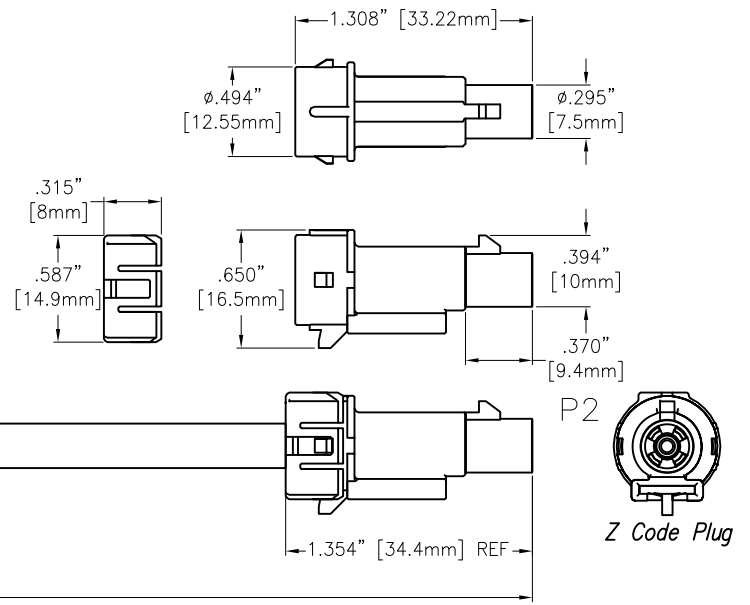
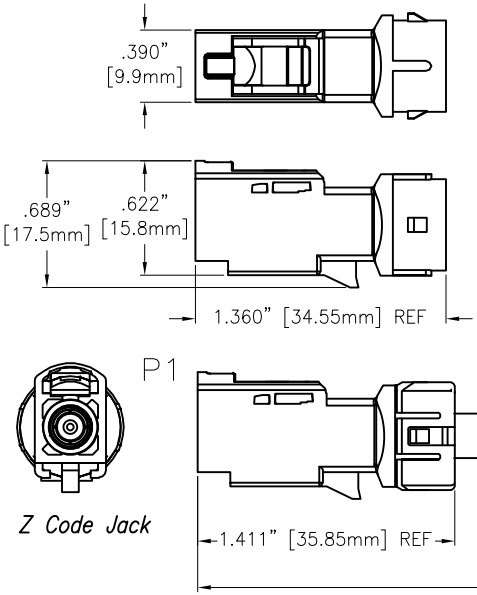


APPROVED: _____
 DATE: _____ TITLE: _____

Rev	AWO #	Description	Date	Appr
-		RELEASED	10/12/22	

CA-FJFM-XX002X

P1 CODE		P2 CODE	
Z	Water Blue	Z	Water Blue
N	Pastel Green	N	Pastel Green
M	Pink Orange	M	Pink Orange
L	Carmine	L	Carmine
K	Curry	K	Curry
I	Yellow	I	Yellow
H	Violet	H	Violet
G	Grey	G	Grey
F	Brown	F	Brown
E	Green	E	Green
D	Purple	D	Purple
C	Blue	C	Blue
B	White	B	White
A	Black	A	Black
Code	Color	Code	Color
Jack		Plug	



SPECIFICATIONS:

Connector:
 P1= FAKRA Female Code See Chart, Straight, Brass Gold Plated Contacts
 ADAM-P/N: RF55-61Z-Y-02-50
 P2= FAKRA Male Code See Chart, Straight, Brass Gold Plated Contacts
 ADAM-P/N: RF55-62Z-Y-02-50

Electrical:
 Contact resistance: 30 mohms max
 Insulation resistance: 1000 Mohms min
 Dielectric withstanding voltage: 500 VAC

Cable:
 RG316U, Color: Brown

Electrical Test:
 All Assemblies must be 100% Tested for
 Shorts, Open, Continuity, and Physical Appearance.

Environmental:
 IP Rating: IPX7
 Lead free, RoHS compliant



ADAM-P/N	L±T
CA-FJFM-XX00203WP	11.811"±1.969" [300±50mm]
CA-FJFM-XX00206WP	23.622"±1.969" [600±50mm]
CA-FJFM-XX00210WP	39.370"±1.969" [1000±50mm]
CA-FJFM-XX00220WP	78.740"±1.969" [2000±50mm]
CA-FJFM-XX00230WP	118.110"±1.969" [3000±50mm]
CA-FJFM-XX00240WP	157.480"±1.969" [4000±50mm]
CA-FJFM-XX00250WP	196.850"±1.969" [5000±50mm]

UNLESS OTHERWISE SPECIFIED ALL DIMENSIONS ARE INCHES [MM]. TOLERANCES: EXCEPT AS NOTED		
INCHES		HOLES
.X ±.10	Ø.X ±.10	
.XX ±.020	Ø.XX ±.015	
.XXX ±.015	Ø.XXX ±.010	
DRAWN	LH	10/12/22
CHECKED	RC	10/12/22
APPROVED		
THIS DRAWING CONTAINS INFORMATION THAT IS PROPRIETARY AND SHOULD NOT BE USED WITHOUT PRIOR WRITTEN PERMISSION FROM ADAM TECH		

ADAM TECH 909 Rahway Avenue,
 Union, NJ 07083
 Phone: 908-687-5000
 Fax: 908-687-5710

TITLE: CUSTOM CABLE ASSEMBLY, FAKRA FEMALE STRAIGHT TO FAKRA MALE STRAIGHT, RG316U, IPX7 RATED

SIZE	PART NO.	REV.
X	CA-FJFM-XX002XWP	-

REF: S00288T SCALE: NTS SHEET 1 OF 1

6

5

4

3

2

1

D

D

C

C

B

B

A

A

6

5

4

3

2

1