

6

5

4

3

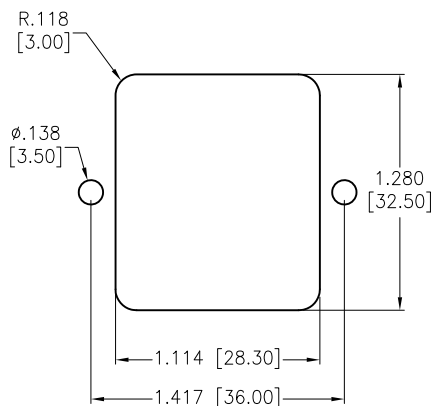
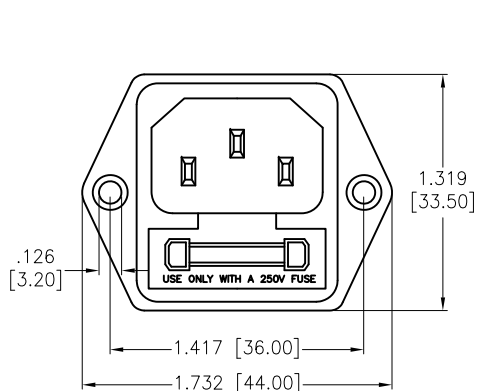
2

1

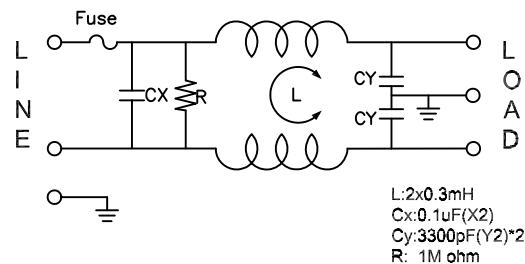
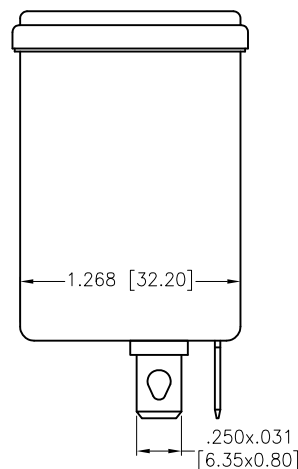
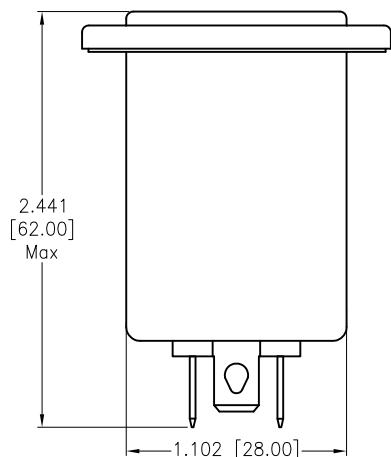
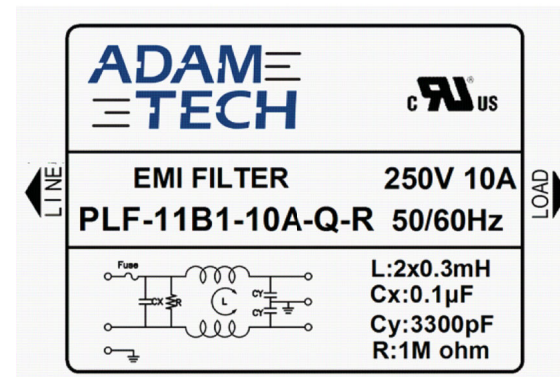
APPROVED: _____

DATE: _____ TITLE: _____

Rev	AWO #	Description	Date	Appr
-		RELEASED	10/24/22	



RECOMMENDED PANEL CUT



SPECIFICATIONS:

Electrical:

Voltage rating: 115/250 VAC

Current rating: 115/250 VAC: 10A RMS max

Leakage Current: Each Line To Ground
@115VAC/60HZ 0.4uA max
@250VAC/50HZ 0.8uA max

Hipot Rating(For 1 Minute)

A. Line to Ground: 2,250 VDC

B. Line to Line: 500 VDC

IR: 50 Mohm @500 VDC Any Input or Output to Ground

Temperature Rating:
-25°C to +85°C

Environmental:

Lead free, RoHS compliant



UNLESS OTHERWISE SPECIFIED ALL DIMENSIONS ARE INCHES [MM]. TOLERANCES: EXCEPT AS NOTED

INCHES		HOLES	
.X	± .10	Ø.X	±.10
.XX	± .020	Ø.XX	±.015
.XXX	± .015	Ø.XXX	±.010

DRAWN	WX	10/24/22
CHECKED	RC	10/24/22
APPROVED		

THIS DRAWING CONTAINS INFORMATION THAT IS PROPRIETARY AND SHOULD NOT BE USED WITHOUT PRIOR WRITTEN PERMISSION FROM ADAM TECH



909 Rahway Avenue,
Union, NJ 07083
Phone: 908-687-5000
Fax: 908-687-5710

TITLE
FILTERED POWR ENTRY MODULE, FUSED INLET,
115/250VAC, 10A, FLANGE MOUNT

SIZE X	PART NO. PLF-11B1-10A-Q-R	REV. -
REF: S00205C	SCALE: NTS	SHEET 1 OF 2

6

5

4

3

2

1

6

5

4

3

2

1

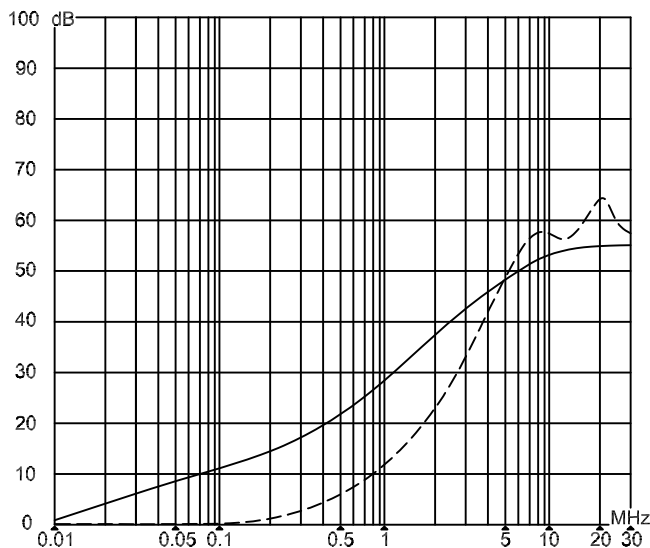
APPROVED: _____

DATE: _____ TITLE: _____

Rev	AWO #	Description	Date	Appr
SEE SHT 1 OF 2 FOR REVISION				

INSERTION LOSS(IN 50 ohm system according IEC/CISPR

_____ (common mode)
 - - - - - (differential mode)



UNLESS OTHERWISE SPECIFIED ALL DIMENSIONS ARE INCHES [MM]. TOLERANCES: EXCEPT AS NOTED

INCHES		HOLES	
.x	± .10	∅x	±.10
.xx	± .020	∅xx	±.015
.xxx	± .015	∅xxx	±.010



909 Rahway Avenue,
Union, NJ 07083
Phone: 908-687-5000
Fax: 908-687-5710

DRAWN	WX	10/24/22
CHECKED	RC	10/24/22
APPROVED		

TITLE
FILTERED POWR ENTRY MODULE, FUSED INLET,
115/250VAC, 10A, FLANGE MOUNT

THIS DRAWING CONTAINS INFORMATION THAT IS PROPRIETARY AND SHOULD NOT BE USED WITHOUT PRIOR WRITTEN PERMISSION FROM ADAM TECH

SIZE X	PART NO. PLF-11B1-10A-Q-R	REV. -
-----------	------------------------------	-----------

REF: S00205C	SCALE: NTS	SHEET 2 OF 2
--------------	------------	--------------

6

5

4

3

2

1