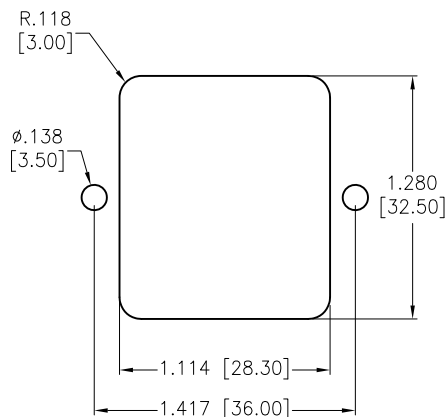
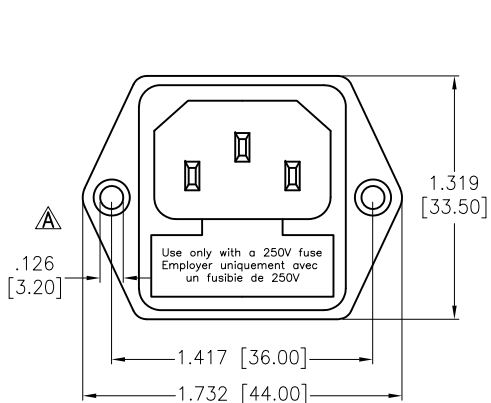


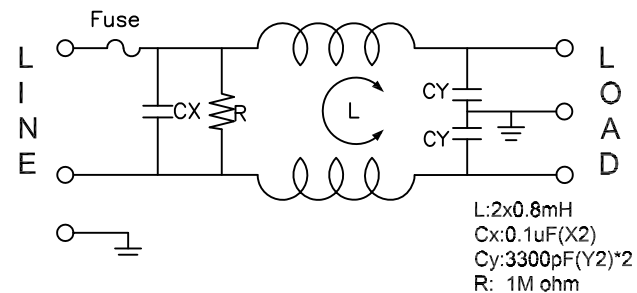
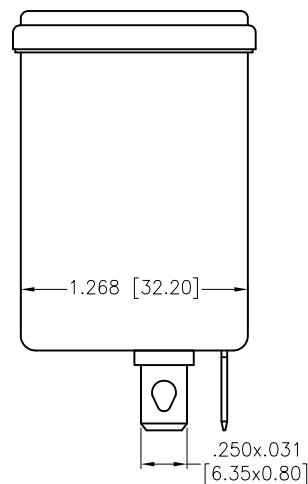
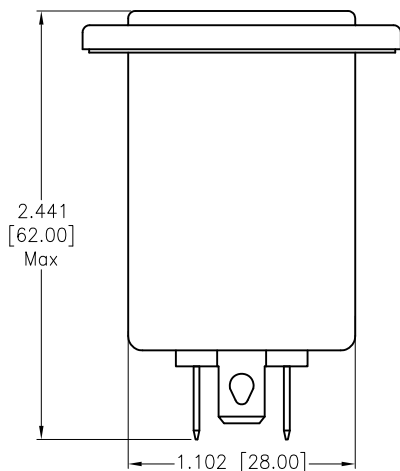
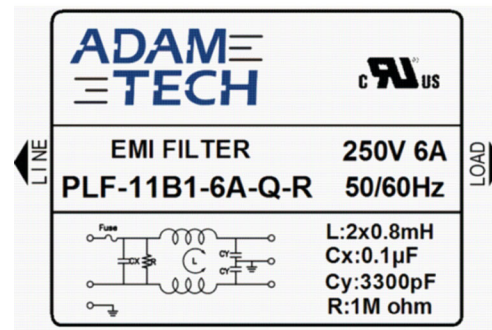
APPROVED: _____

DATE: _____ TITLE: _____

Rev	AWO #	Description	Date	Appr
-		RELEASED	10/24/22	
A		UPDATE DRAWING	11/22/23	LH/SL2



RECOMMENDED PANEL CUT



SPECIFICATIONS:

Electrical:

Voltage rating: 115/250 VAC
 Current rating: 115/250 VAC: 6A RMS max
 Leakage Current: Each Line To Ground
 @115VAC/60HZ 0.4mA max
 @250VAC/50HZ 0.8mA max

Hipot Rating(For 1 Minute)

A. Line to Ground: 2,250 VDC
 B. Line to Line: 500 VDC

IR: 50 Mohm @500 VDC Any Input or Output to Ground

Temperature Rating:
 -25°C to +85°C

Environmental:

Lead free, RoHS compliant



UNLESS OTHERWISE SPECIFIED ALL DIMENSIONS ARE INCHES [MM]. TOLERANCES: EXCEPT AS NOTED

INCHES		HOLES	
.x	\pm .10	ϕ x	\pm .10
.xx	\pm .020	ϕ xx	\pm .015
.xxx	\pm .015	ϕ xxx	\pm .010

DRAWN	WX	10/24/22
CHECKED	RC	10/24/22
APPROVED		

THIS DRAWING CONTAINS INFORMATION THAT IS PROPRIETARY AND SHOULD NOT BE USED WITHOUT PRIOR WRITTEN PERMISSION FROM ADAM TECH



909 Rahway Avenue,
 Union, NJ 07083
 Phone: 908-687-5000
 Fax: 908-687-5710

TITLE: FILTERED POWR ENTRY MODULE, FUSED INLET, 115/250VAC, 6A, FLANGE MOUNT

SIZE X	PART NO. PLF-11B1-6A-Q-R	REV. A
REF: S00205C	SCALE: NTS	SHEET 1 OF 2

6

5

4

3

2

1

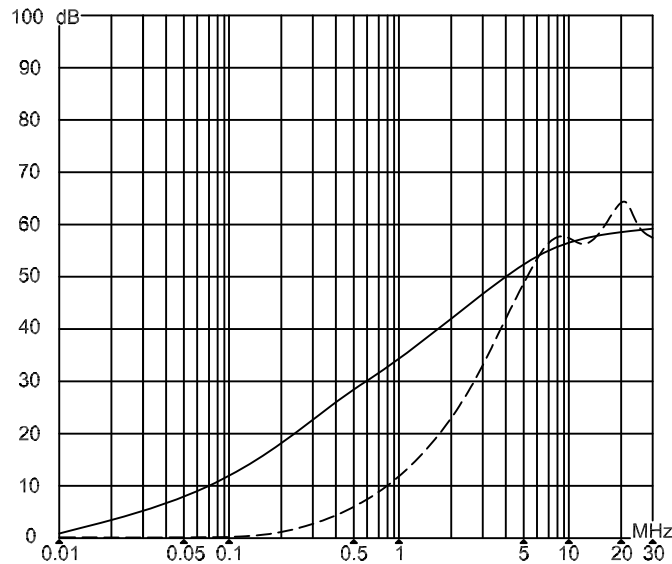
APPROVED: _____

DATE: _____ TITLE: _____

Rev	AWO #	Description	Date	Appr
SEE SHT 1 OF 2 FOR REVISION				

INSERTION LOSS(IN 50 ohm system according IEC/CISPR

————— (common mode)
 - - - - - (differential mode)




UNLESS OTHERWISE SPECIFIED ALL DIMENSIONS ARE INCHES [MM]. TOLERANCES: EXCEPT AS NOTED

INCHES		HOLES	
.X	± .10	∅X	±.10
.XX	± .020	∅XX	±.015
.XXX	± .015	∅XXX	±.010

DRAWN	WX	10/24/22
CHECKED	RC	10/24/22
APPROVED		

THIS DRAWING CONTAINS INFORMATION THAT IS PROPRIETARY AND SHOULD NOT BE USED WITHOUT PRIOR WRITTEN PERMISSION FROM ADAM TECH



909 Rahway Avenue,
 Union, NJ 07083
 Phone: 908-687-5000
 Fax: 908-687-5710

TITLE FILTERED POWR ENTRY MODULE, FUSED INLET, 115/250VAC, 6A, FLANGE MOUNT		
SIZE X	PART NO. PLF-11B1-6A-Q-R	REV. A
REF: S00205C	SCALE: NTS	SHEET 2 OF 2

6

5

4

3

2

1