

6

5

4

3

2

1

APPROVED: _____

DATE: _____ TITLE: _____

CUSTOM CABLE ASSEMBLIES ARE NON-CANCELLABLE / NON-RETURNABLE

Rev	AWO #	Description	Date	Appr
-		RELEASED	11/16/18	

D

D

C

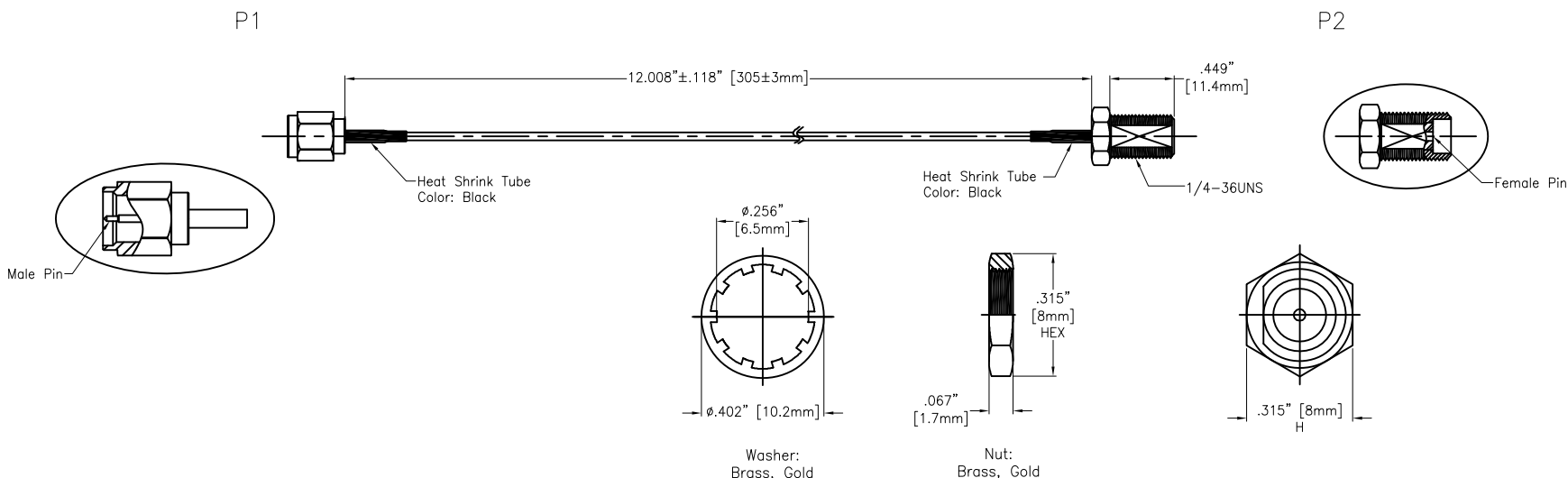
C

B

B

A

A



SPECIFICATIONS:

Connector:

P1= SMA Straight Plug Connector, Male Pin, Gold plated

P2= SMA Straight Jack Connector, Female Pin, Gold plated

Cable:

RG316

Electrical:

Impedance: 50 ohms

Frequency range: DC-6 GHz

Electrical Test:

All Assemblies must be 100% Tested for Shorts, Open, Continuity, and Physical Appearance.

Environmental:

Lead free, RoHS compliant



UNLESS OTHERWISE SPECIFIED ALL DIMENSIONS ARE INCHES [MM] TOLERANCES: EXCEPT AS NOTED INCHES HOLES		ADAM TECH INTERCONNECTS		909 Rahway Avenue, Union, NJ 07083 Phone: 908-687-5000 Fax: 908-687-5710	
.X ± .10 Ø.X ± .10 .XX ± .020 Ø.XX ± .015 .XXX ± .015 Ø.XXX ± .010		APPROVALS		TITLE	
DRAWN AY		DATE		CUSTOM ASSEMBLY, SMA ST PLUG TO SMA ST JACK, RG316 CABLE	
CHECKED AC		DATE		SIZE	PART NO.
APPROVED		DATE		X	CA#DKCA1-305L5-APAJ
REF: S00291T		SCALE: NTS		REV. -	
				SHEET 1 OF 1	

6

5

4

3

2

1