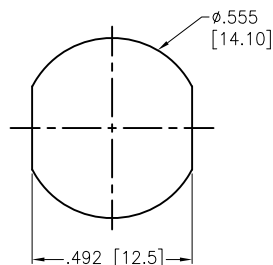
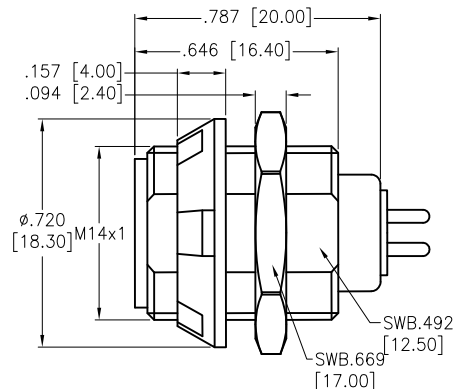
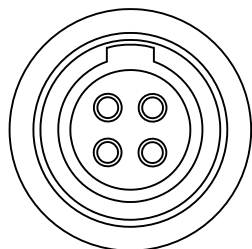


APPROVED: \_\_\_\_\_

DATE: \_\_\_\_\_ TITLE: \_\_\_\_\_

Rev	AWO #	Description	Date	Appr
-		RELEASED	8/16/21	
A		UPDATE DRAWING	12/19/23	LH/LL1



RECOMMENDED  
PANEL CUT-OUT  
(Rear Panel mounting)

MMI-P1SRXXXPXX

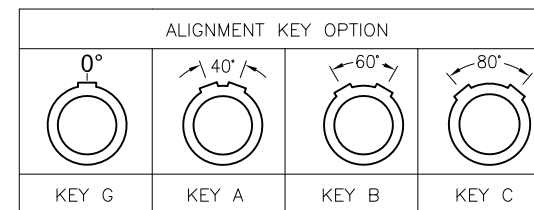
SIZE  
1

ALIGNMENT KEY
G = 0°
A = 40°
B = 60°
C = 80°

BODY COLOR
B = BLACK
G = GRAY

FRONT NUT COLOR
B = BLACK
G = GRAY
GR = GREEN
Y = YELLOW
R = RED

# OF POSITIONS



SPECIFICATIONS:

Material:  
Housing PC  
Insulator: PPS  
Terminal: Brass, Gold Plated

Electrical:  
Voltage Rating: See chart  
Current Rating: See chart  
Dielectric withstanding voltage: See chart  
Electrical Life: 1,000 Cycles min.  
Temperature Rating:  
Operating temperature: -55°C to +118°C

Environmental:  
IP50 Protection (Mated Condition)  
Lead free, RoHS compliant



Configuration	Size 1									
	2 Pin	3 Pin	4 Pin	5 Pin	6 Pin	7 Pin	8 Pin	9 Pin	10 Pin	14 Pin
Diameter of Pin	1.3	1.3	0.9	0.9	0.7	0.7	0.7	0.5	0.5	0.5
Testing Voltage	1100V	1100V	950V	950V	950V	950V	950V	750V	750V	500V
Working Voltage	300V	300V	250V	250V	200V	200V	200V	200V	200V	200V
Rated Current / Pin	9A	8A	7A	6A	5A	4A	4A	2.5A	2.5A	1.5A

UNLESS OTHERWISE SPECIFIED ALL DIMENSIONS ARE INCHES [MM]. TOLERANCES: EXCEPT AS NOTED		
INCHES	HOLES	
.X ± .10	∅X ± .10	
.XX ± .020	∅XX ± .015	
.XXX ± .015	∅XXX ± .010	

DRAWN	SS	8/16/21
CHECKED	SS	8/16/21
APPROVED		

THIS DRAWING CONTAINS INFORMATION THAT IS PROPRIETARY AND SHOULD NOT BE USED WITHOUT PRIOR WRITTEN PERMISSION FROM ADAM TECH



909 Rahway Avenue,  
Union, NJ 07083  
Phone: 908-687-5000  
Fax: 908-687-5710

TITLE  
PUSH-PULL SOCKET, VERTICAL, SIZE 1, PLASTIC BODY, REAR PANEL MOUNT, PCB THROUGH HOLE, IP50

SIZE	PART NO.	REV.
X	MMI-P1SRXXXPXX	A

REF: S00210C SCALE: NTS SHEET 1 OF 1