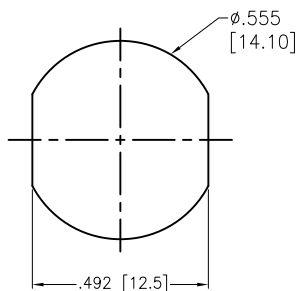
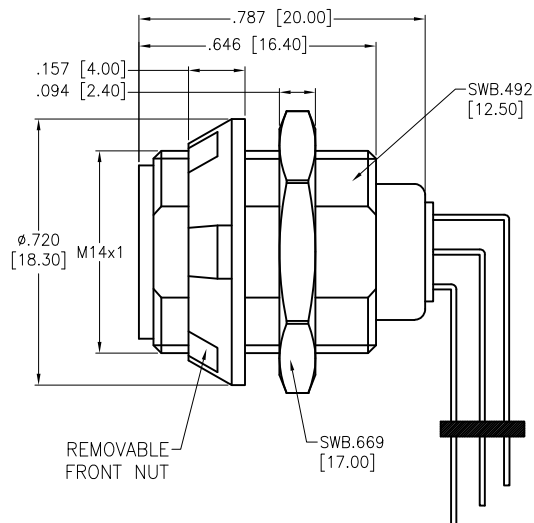
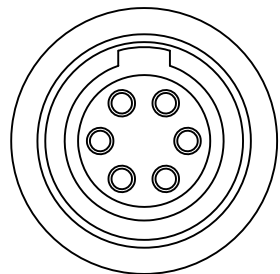


APPROVED: _____

DATE: _____ TITLE: _____

Rev	AWO #	Description	Date	Appr
-		RELEASED	8/16/21	
A		UPDATE DRAWING	12/19/23	LH/LL1



RECOMMENDED
PANEL CUT-OUT
(Rear Panel mounting)

MMI-P1SRXXXPRXX

SIZE
1

ALIGNMENT KEY

G = 0°
A = 40°
B = 60°
C = 80°

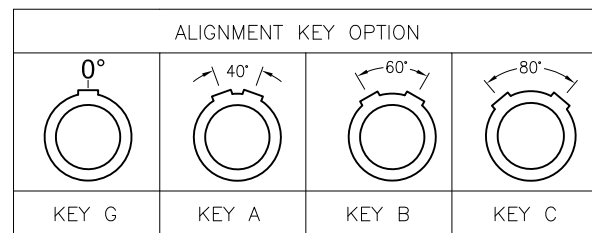
BODY COLOR

B = BLACK
G = GRAY

FRONT NUT COLOR

B = BLACK
G = GRAY
GR = GREEN
Y = YELLOW
R = RED

OF POSITIONS



Configuration	Size 1									
	2 Pin	3 Pin	4 Pin	5 Pin	6 Pin	7 Pin	8 Pin	9 Pin	10 Pin	14 Pin
Diameter of Pin	1.3	1.3	0.9	0.9	0.7	0.7	0.7	0.5	0.5	0.5
Testing Voltage	1100V	1100V	950V	950V	950V	950V	950V	750V	750V	500V
Working Voltage	300V	300V	250V	250V	200V	200V	200V	200V	200V	200V
Rated Current / Pin	9A	8A	7A	6A	5A	4A	4A	2.5A	2.5A	1.5A

SPECIFICATIONS:

Material:
Housing PC
Insulator: PPS
Terminal: Brass, Gold Plated
Electrical:
Voltage Rating: See chart
Current Rating: See chart
Dielectric withstanding voltage: See chart
Electrical Life: 1,000 Cycles min.
Temperature Rating:
Operating temperature: -55°C to +118°C
Environmental:
IP50 Protection (Mated Condition)
Lead free, RoHS compliant

SEE SHT 2 OF 2 FOR RECOMMENDED
PCB LAYOUT



UNLESS OTHERWISE SPECIFIED ALL DIMENSIONS ARE INCHES [MM]. TOLERANCES: EXCEPT AS NOTED

INCHES		HOLES	
.X	± .10	Ø.X	± .10
.XX	± .020	Ø.XX	± .015
.XXX	± .015	Ø.XXX	± .010

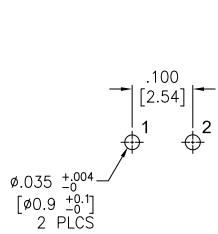
ADAM TECH 909 Rahway Avenue,
Union, NJ 07083
Phone: 908-687-5000
Fax: 908-687-5710

DRAWN	SS	8/16/21	TITLE PUSH-PULL SOCKET, RIGHT ANGLE, SIZE 1, PLASTIC BODY, REAR PANEL MOUNT, R/A PCB THROUGH HOLE
CHECKED	SS	8/16/21	
APPROVED			
THIS DRAWING CONTAINS INFORMATION THAT IS PROPRIETARY AND SHOULD NOT BE USED WITHOUT PRIOR WRITTEN PERMISSION FROM ADAM TECH			REV. A
SIZE X	PART NO. MMI-P1SRXXXPRXX	REF: S00210C	SCALE: NTS SHEET 1 OF 2

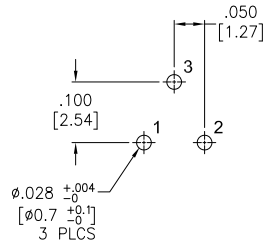
APPROVED: _____

DATE: _____ TITLE: _____

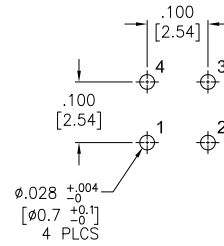
Rev	AWO #	Description	Date	Appr
-		RELEASED	8/16/21	



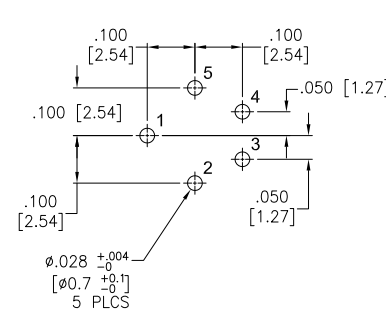
2 PIN



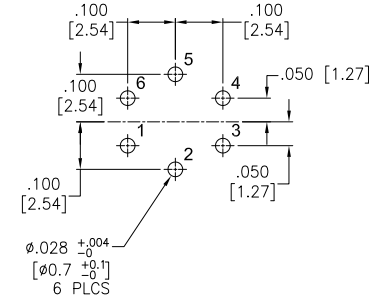
3 PIN



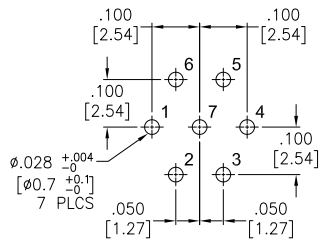
4 PIN



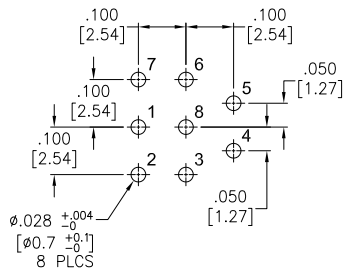
5 PIN



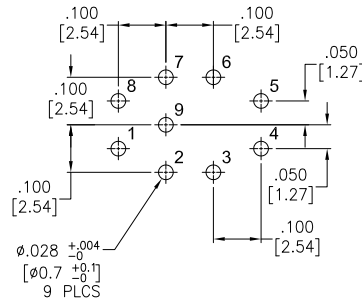
6 PIN



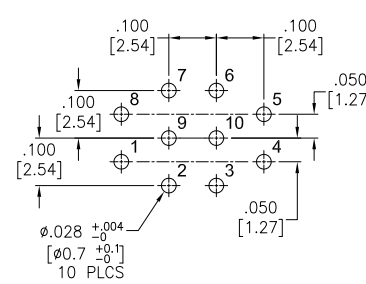
7 PIN



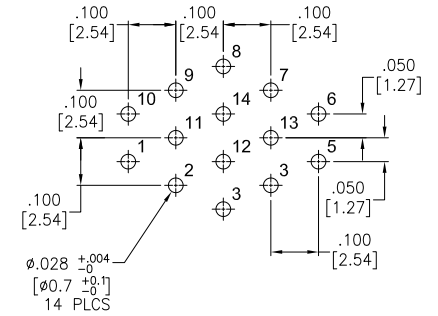
8 PIN



9 PIN



10 PIN



14 PIN

UNLESS OTHERWISE SPECIFIED ALL DIMENSIONS ARE INCHES [MM]. TOLERANCES: EXCEPT AS NOTED

INCHES		HOLES	
.X	± .10	Ø.X	± .10
.XX	± .020	Ø.XX	± .015
.XXX	± .015	Ø.XXX	± .010

ADAM TECH

909 Rahway Avenue,
Union, NJ 07083
Phone: 908-687-5000
Fax: 908-687-5710

DRAWN	SS	8/16/21
CHECKED	SS	8/16/21
APPROVED		

TITLE
PUSH-PULL SOCKET, RIGHT ANGLE, SIZE 1, PLASTIC BODY, REAR PANEL MOUNT, R/A PCB THROUGH HOLE

THIS DRAWING CONTAINS INFORMATION THAT IS PROPRIETARY AND SHOULD NOT BE USED WITHOUT PRIOR WRITTEN PERMISSION FROM ADAM TECH

SIZE	PART NO.	REV.
X	MMI-P1SRXXPRXX	A

REF: S00210C SCALE: NTS SHEET 2 OF 2