

6

5

4

3

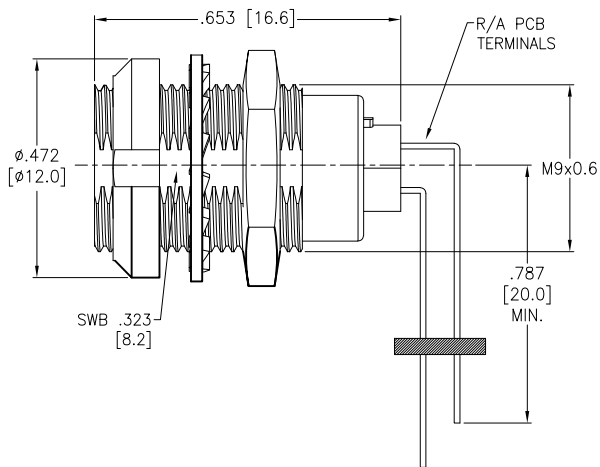
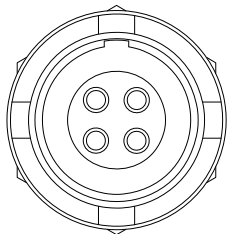
2

1

APPROVED: _____

DATE: _____ TITLE: _____

Rev	AWO #	Description	Date	Appr
-		RELEASED	8/16/21	



MMI-MORSXXXXPR

SIZE 0

ALIGNMENT KEY

G = 0°

A = 30°

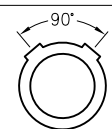
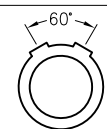
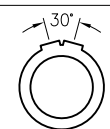
B = 60°

C = 90°

OF POSITIONS

(02, 03, 04, 05, 06, 07 & 09)

ALIGNMENT KEY OPTION

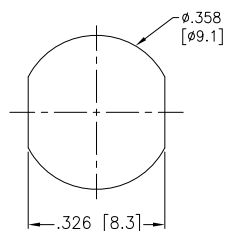


KEY G

KEY A

KEY B

KEY C



Panel Cut-Out (Rear Panel Mounting)

Note: .216 [5.5] Max. Panel Thickness

SPECIFICATIONS:

Material:

Body: Brass, Natural Chrome Plated

Insulator: PPS, color Beige

Terminal: Brass, Gold Plated

Electrical:

Voltage Rating: See chart

Current Rating: See chart

Dielectric withstanding voltage: See chart

Electrical Life: 1,000 Cycles min.

Mechanical:

Endurance: 5,000 Cycles Min.

Temperature Rating:

Operating temperature: -55°C to +150°C

Environmental:

IP50 Protection (Mated Condition)

Lead free, RoHS compliant



	2 Pin	3 Pin	4 Pin	5 Pin	6 Pin	7 Pin	9 Pin
Configuration							
Diameter of Pin	φ0.9	φ0.9	φ0.7	φ0.7	φ0.5	φ0.5	φ0.5
Testing Voltage	1200V	1200V	1000V	1000V	900V	800V	800V
Working Voltage	250V	250V	200V	200V	200V	200V	200V
Rated Current / Pin	8A	7A	5A	5A	2.5A	2A	2A

UNLESS OTHERWISE SPECIFIED
ALL DIMENSIONS ARE INCHES [MM]
TOLERANCES: EXCEPT AS NOTED

INCHES		HOLES	
.X	± .10	∅.X	± .10
.XX	± .020	∅.XX	± .015
.XXX	± .015	∅.XXX	± .010

APPROVALS		DATE
DRAWN	SS	8/16/21
CHECKED	SS	8/16/21
APPROVED		



909 Rahway Avenue,
Union, NJ 07083
Phone: 908-687-5000
Fax: 908-687-5710

TITLE
PUSH-PULL SOCKET, VERTICAL, SIZE 0, METAL BODY,
REAR PANEL MOUNT, R/A PCB TERMINALS, IP50

SIZE X	PART NO. MMI-MORSXXXXPR	REV. -
REF: SXXXXX	SCALE: NTS	SHEET 1 OF 2

6

5

4

3

2

1

6

5

4

3

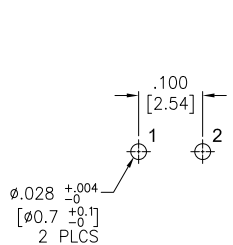
2

1

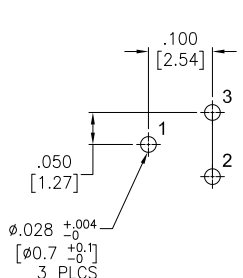
APPROVED: _____

DATE: _____ TITLE: _____

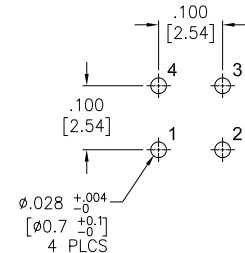
Rev	AWO #	Description	Date	Appr
-		RELEASED	8/16/21	



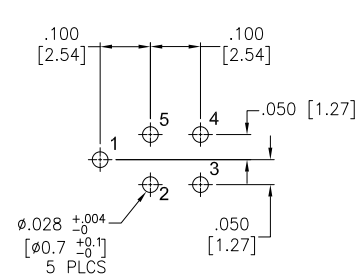
2 PIN



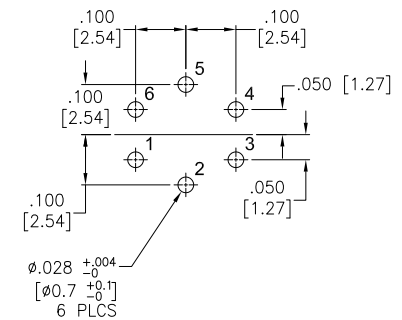
3 PIN



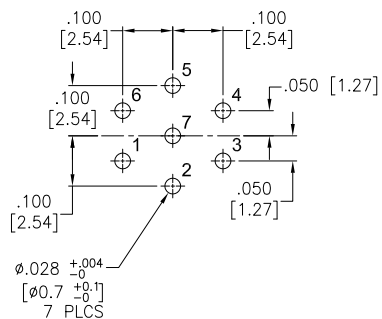
4 PIN



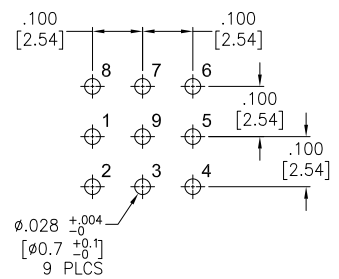
5 PIN



6 PIN



7 PIN



9 PIN

UNLESS OTHERWISE SPECIFIED
ALL DIMENSIONS ARE INCHES [MM]
TOLERANCES: EXCEPT AS NOTED
INCHES HOLES

.X	± .10	Ø.X	± .10
.XX	± .020	Ø.XX	± .015
.XXX	± .015	Ø.XXX	± .010

APPROVALS		DATE
DRAWN	SS	8/16/21
CHECKED	SS	8/16/21
APPROVED		

ADAM TECH 909 Rahway Avenue,
Union, NJ 07083
Phone: 908-687-5000
Fax: 908-687-5710

TITLE: PUSH-PULL SOCKET, VERTICAL, SIZE 0, METAL BODY, REAR PANEL MOUNT, R/A PCB TERMINALS, IP50

SIZE X	PART NO. MMI-MORSXXXPR	REV. -
REF: SXXXXXX	SCALE: NTS	SHEET 2 OF 2

6

5

4

3

2

1