

APPROVED: _____
 DATE: _____ TITLE: _____

Rev	AWO #	Description	Date	Appr
-		RELEASED	8/16/21	
A		UPDATED SPEC.	4/24/23	JJ/AC

MMI-MOPXXXSXXB-IP68

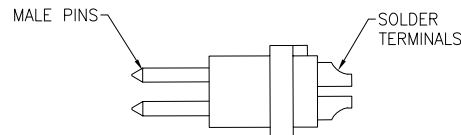
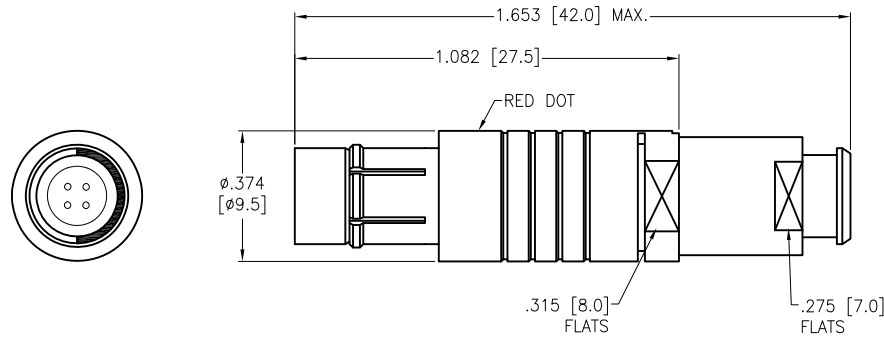
CODING	
1	= CODE 1
2	= CODE 2
3	= CODE 3

CABLE COLLET SIZE	
32	= 2.2mm ~ 3.2mm ID
42	= 3.2mm ~ 4.2mm ID
52	= 4.2mm ~ 5.2mm ID

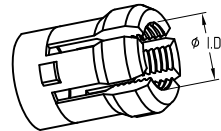
OF POSITIONS
 02, 03, 04, 05,
 & 07, 09

NOTE: BEND RELIEF
 MUST BE ORDERED
 SEPARATELY
 SEE MMI-BR0-XX-XX-X

CODING OPTIONS		
CODE 1	CODE 2	CODE 3



DETAIL



CABLE COLLET

	2 Pin	3 Pin	4 Pin	5 Pin	7 Pin	9 Pin
Configuration						
Diameter of Pin	0.9	0.9	0.7	0.7	0.5	0.5
Testing Voltage	1200V	1100V	900V	900V	700V	500V
Working Voltage	350V	300V	250V	250V	200V	150V
Rated Current / Pin	8A	8A	5A	5A	3A	3A
Max. Wire Awg	22	22	24	24	28	28

SPECIFICATIONS:

Material:
 Housing (Body): Brass, Natural Chrome plated
 Insulator: PPS
 Terminal: Brass, Gold Plated
 Shell: Brass
 Electrical:
 Voltage Rating: See chart
 Current Rating: See chart
 Dielectric withstanding voltage: See chart
 Electrical Life: 5,000 Cycles min.
 Temperature Rating:
 Operating temperature: -55°C to +150°C
 Environmental:
 IP68 Protection (Mated Condition)
 Lead free, RoHS compliant



UNLESS OTHERWISE SPECIFIED ALL DIMENSIONS
 ARE INCHES [MM]. TOLERANCES: EXCEPT AS NOTED

INCHES	HOLES
.X ± .10	Ø.X ± .10
.XX ± .020	Ø.XX ± .015
.XXX ± .015	Ø.XXX ± .010



909 Rahway Avenue,
 Union, NJ 07083
 Phone: 908-687-5000
 Fax: 908-687-5710

DRAWN	SS	8/16/21
CHECKED	SS	8/16/21
APPROVED		

TITLE
 PUSH-PULL CONNECTOR MALE PLUG, METAL, SIZE 0,
 SOLDER TERMINAL, BEND RELIEF TYPE, IP68

THIS DRAWING CONTAINS INFORMATION THAT IS PROPRIETARY
 AND SHOULD NOT BE USED WITHOUT PRIOR WRITTEN
 PERMISSION FROM ADAM TECH

SIZE X	PART NO. MMI-MOPXXXSXXB-IP68	REV. A
REF: XXXXX	SCALE: NTS	SHEET 1 OF 1