

APPROVED: _____
 DATE: _____ TITLE: _____

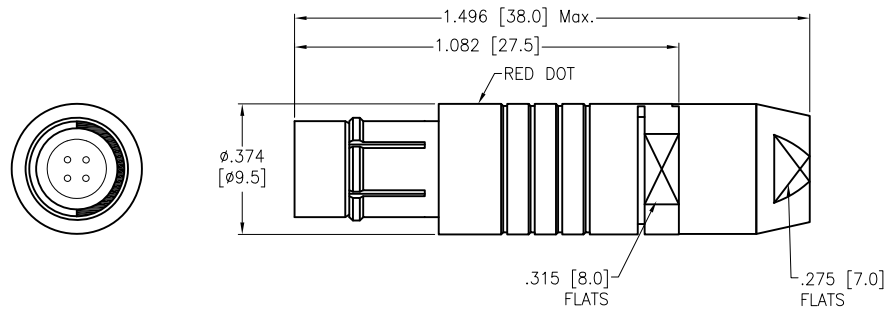
Rev	AWO #	Description	Date	Appr
-		RELEASED	8/16/21	

MMI-MOPXXXSXX-IP68

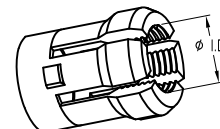
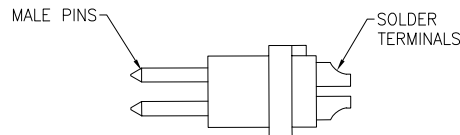
CODING	
1	= CODE 1
2	= CODE 2
3	= CODE 3

CABLE COLLET SIZE	
32	= 2.2mm ~ 3.2mm ID
42	= 3.2mm ~ 4.2mm ID
52	= 4.2mm ~ 5.2mm ID

OF POSITIONS
 02, 03, 04, 05,
 & 07



CODING OPTIONS		
CODE 1	CODE 2	CODE 3



DETAIL

CABLE COLLET

	2 Pin	3 Pin	4 Pin	5 Pin	7 Pin
Configuration					
Diameter of Pin	Ø0.9	Ø0.9	Ø0.7	Ø0.7	Ø0.5
Testing Voltage	1200V	1100V	900V	900V	700V
Working Voltage	350V	300V	250V	250V	200V
Rated Current / Pin	8A	8A	5A	5A	3A
Max. Wire Awg	22	22	24	24	28

SPECIFICATIONS:

Material:
 Housing (Body): Brass, Natural Chrome plated
 Insulator: PPS
 Terminal: Brass, Gold Plated
 Electrical:
 Voltage Rating: See chart
 Current Rating: See chart
 Dielectric withstanding voltage: See chart
 Electrical Life: 5,000 Cycles min.
 Temperature Rating:
 Operating temperature: -55°C to +150°C
 Environmental:
 IP68 Protection (Mated Condition)
 Lead free, RoHS compliant



UNLESS OTHERWISE SPECIFIED ALL DIMENSIONS ARE INCHES [MM] TOLERANCES: EXCEPT AS NOTED		
INCHES HOLES		
.X ± .10	Ø.X ± .10	
.XX ± .020	Ø.XX ± .015	
.XXX ± .015	Ø.XXX ± .010	
APPROVALS		DATE
DRAWN	SS	8/16/21
CHECKED	SS	8/16/21
APPROVED		

ADAM TECH
 909 Rahway Avenue,
 Union, NJ 07083
 Phone: 908-687-5000
 Fax: 908-687-5710

TITLE PUSH-PULL CONNECTOR MALE PLUG, METAL, SIZE 0, SOLDER TERMINAL, IP68			
SIZE X	PART NO. MMI-MOPXXXSXX-IP68	REV. -	
REF: SXXXXX	SCALE: NTS	SHEET 1 OF 1	

6

5

4

3

2

1

D

D

C

C

B

B

A

A

6

5

4

3

2

1