

6

5

4

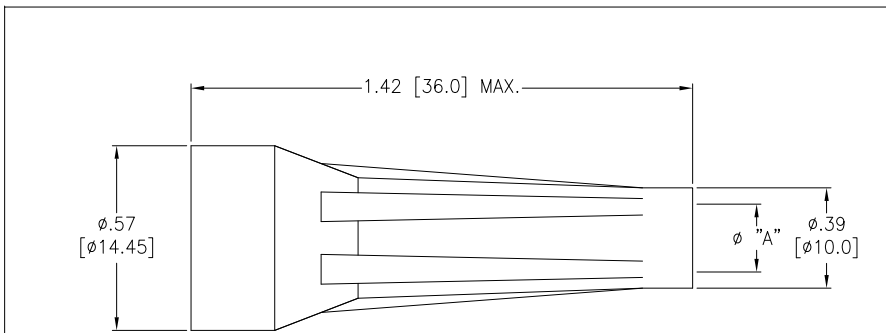
3

2

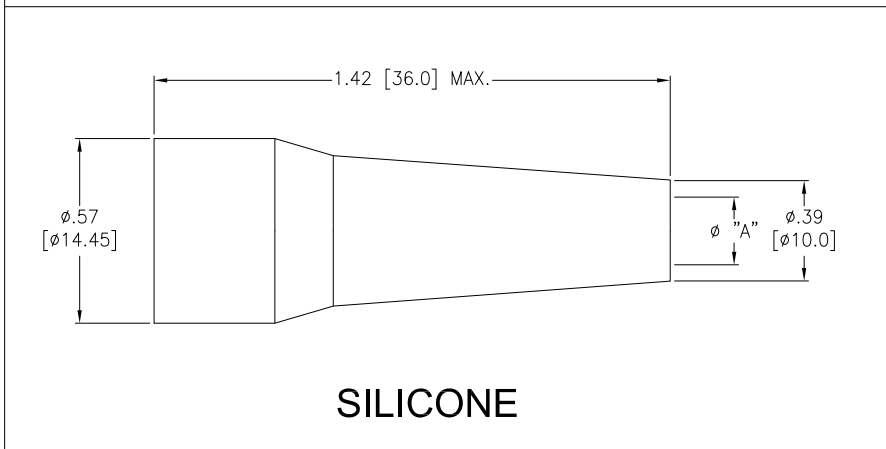
1

APPROVED: \_\_\_\_\_  
DATE: \_\_\_\_\_ TITLE: \_\_\_\_\_

Rev	AWO #	Description	Date	Appr
-		RELEASED	8/16/21	
A		ADDED SILICONE TYPE	11/15/22	



TPU



SILICONE

MMI-BR2-XX-XX-X

PLUG SIZE
2 = SIZE 2

MATERIAL
T = TPU
S = SILICONE

CABLE I.D. "A"
50 = 5.0mm (TPU)
55 = 5.5mm (TPU)
60 = 6.0mm (TPU)
65 = 6.5mm (TPU)
70 = 7.0mm (TPU or SILICONE)
75 = 7.5mm (SILICONE)
80 = 8.0mm (TPU or SILICONE)
90 = 9.0mm (TPU)

COLOR
B = BLACK (TPU or SILICONE)
G = GRAY (TPU)
GR = GREEN (TPU)
Y = YELLOW (TPU)
R = RED (TPU)
BU = BLUE (TPU)

Cable Dia. "A"	Min. $\phi$	Max. $\phi$
50	.197 [5.0]	.216 [5.5]
55	.216 [5.5]	.205 [6.0]
60	.236 [6.0]	.256 [6.5]
65	.256 [6.5]	.275 [7.0]
70	.275 [7.0]	.295 [7.5]
75	.295 [7.5]	.315 [8.0]
80	.315 [8.0]	.334 [8.5]
90	.354 [9.0]	.374 [9.5]

SPECIFICATIONS:

Material:  
 TPU (Available sizes 50, 55, 60, 65, 70, 80 & 90),  
 Color Black, Gray, Green, Yellow, Red, Blue  
 Silicone (Available sizes 70, 75 & 80), Color Black  
 Temperature Rating:  
 Operating temperature: TPU: -40°C to +80°C  
 Silicone: -60°C to +200°C

Environmental:  
Lead free, RoHS compliant



UNLESS OTHERWISE SPECIFIED  
 ALL DIMENSIONS ARE INCHES [MM]  
 TOLERANCES: EXCEPT AS NOTED  
 INCHES HOLES  
 .X ± .10  $\phi$ .X ± .10  
 .XX ± .020  $\phi$ .XX ± .015  
 .XXX ± .015  $\phi$ .XXX ± .010



909 Rahway Avenue,  
 Union, NJ 07083  
 Phone: 908-687-5000  
 Fax: 908-687-5710

APPROVALS		DATE
DRAWN	SS	8/16/21
CHECKED	SS	8/16/21
APPROVED		

TITLE			BEND RELIEF FOR PLUG, SIZE 2		
SIZE	PART NO.		REV.		
X	MMI-BR2-XX-XX-X		A		
REF:	SXXXXXX	SCALE:	NTS	SHEET 1 OF 1	

6

5

4

3

2

1