

6

5

4

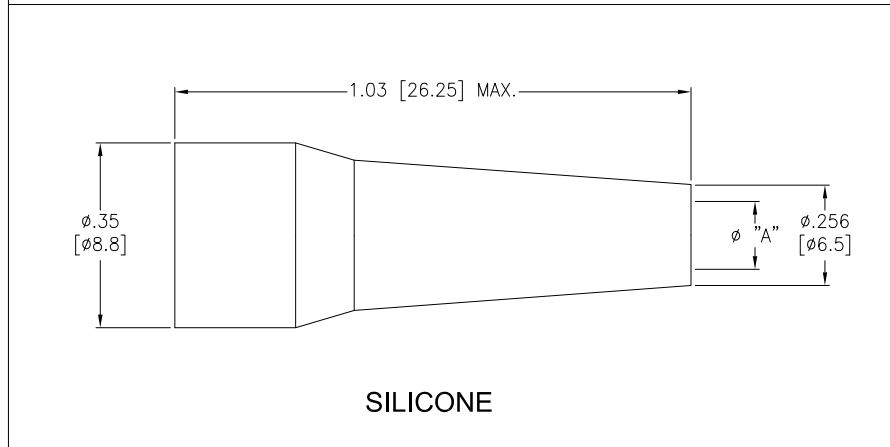
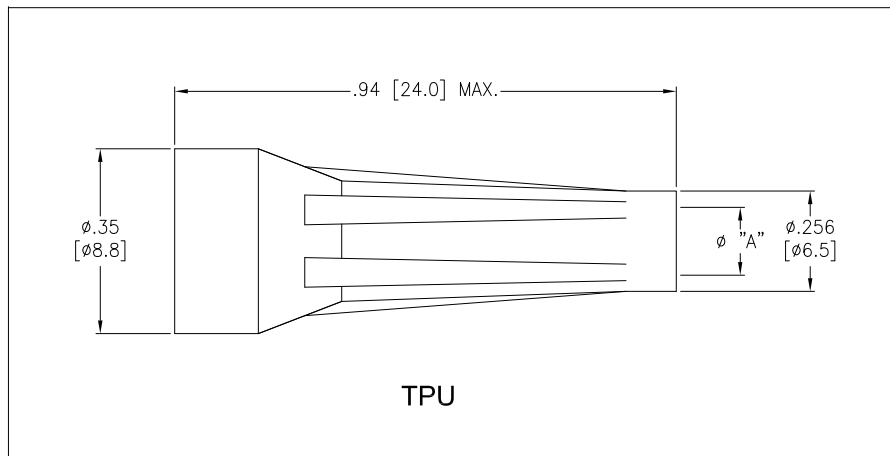
3

2

1

APPROVED: _____
DATE: _____ TITLE: _____

Rev	AWO #	Description	Date	Appr
-		RELEASED	8/16/21	
A		ADDED SILICONE TYPE	11/03/22	



MMI-BRO-XX-XX-X

PLUG SIZE
0 = SIZE 0

MATERIAL
T = TPU
S = SILICONE

CABLE I.D. "A"
25 = 2.5mm (TPU)
30 = 3.0mm (TPU)
35 = 3.5mm (TPU)
40 = 4.0mm (TPU or SILICONE)
45 = 4.5mm (TPU or SILICONE)
50 = 5.0mm (TPU or SILICONE)

COLOR
B = BLACK (TPU or SILICONE)
G = GRAY (TPU)
GR = GREEN (TPU)
Y = YELLOW (TPU)
R = RED (TPU)
BU = BLUE (TPU)

Cable Dia. "A"	Min. ϕ	Max. ϕ
25	.098 [2.5]	.114 [2.9]
30	.118 [3.0]	.134 [3.4]
35	.138 [3.5]	.153 [3.9]
40	.157 [4.0]	.173 [4.4]
45	.177 [4.5]	.193 [4.9]
50	.197 [5.0]	.212 [5.4]

SPECIFICATIONS:

Material:
 TPU (Available sizes 25, 30, 35, 40 & 45), Color Black, Gray, Green, Yellow, Red, Blue
 Silicone (Available sizes 40, 45 & 50), Color Black
 Temperature Rating:
 Operating temperature: TPU: -40°C to +80°C
 Silicone: -60°C to +200°C

Environmental:
 Lead free, RoHS compliant

UNLESS OTHERWISE SPECIFIED
 ALL DIMENSIONS ARE INCHES [MM]
 TOLERANCES: EXCEPT AS NOTED

INCHES		HOLES	
.X	$\pm .10$	ϕ .X	$\pm .10$
.XX	$\pm .020$	ϕ .XX	$\pm .015$
.XXX	$\pm .015$	ϕ .XXX	$\pm .010$



909 Rahway Avenue,
 Union, NJ 07083
 Phone: 908-687-5000
 Fax: 908-687-5710

APPROVALS		DATE
DRAWN	SS	8/16/21
CHECKED	SS	8/16/21
APPROVED		

TITLE BEND RELIEF FOR PLUG, SIZE 0			
SIZE X	PART NO. MMI-BRO-XX-XX-X	REV. A	
REF: SXXXXXX	SCALE: NTS	SHEET 1 OF 1	

6

5

4

3

2

1