

6

5

4

3

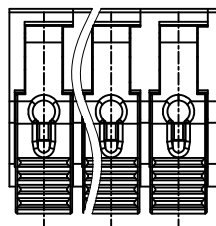
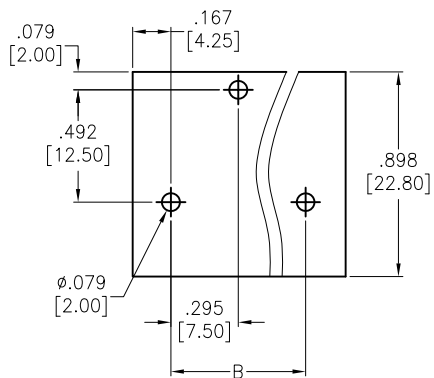
2

1

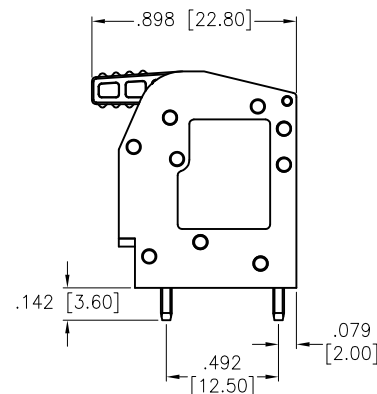
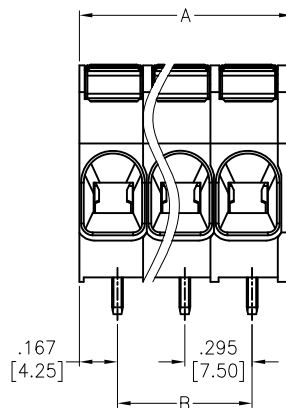
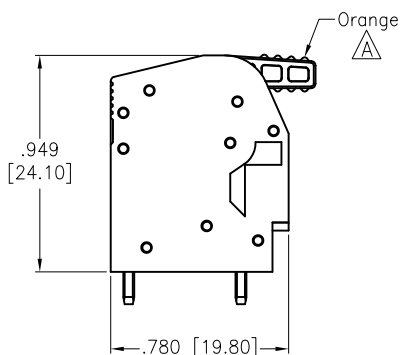
APPROVED: _____

DATE: _____ TITLE: _____

| Rev | AWO # | Description | Date | Appr |
|-----|-------|-------------|----------|-------|
| - | | RELEASED | 10/11/18 | |
| A | | ADDED SPEC. | 3/2/20 | OW/RC |



RECOMMENDED PCB LAYOUT



SPECIFICATIONS:

Material:

Insulator: PA, rated UL 94V-0

Insulator color: Green

Pin Header: Copper Alloy, Tin plated

Electrical:

Voltage rating: 600 V

Current rating: 27 A

Dielectric withstanding voltage: 2,200 V for 1 minute

Mechanical:

Wire range: 24~10AWG

Wire strip length: 15-16mm

Temperature Rating:

-40°C to +105°C

Environmental:

Lead free, RoHS compliant.



Positions: 02 thru 16

A= .295 [7.50] x No. of Positions + .047 [1.20]

B= .295 [7.50] x No. of Space

UNLESS OTHERWISE SPECIFIED
 ALL DIMENSIONS ARE INCHES [MM]
 TOLERANCES: EXCEPT AS NOTED

| | | | |
|------|--------|-------|--------|
| .X | ± .10 | ∅.X | ± .10 |
| .XX | ± .020 | ∅.XX | ± .015 |
| .XXX | ± .015 | ∅.XXX | ± .010 |

ADAM TECH INTERCONNECTS 909 Rahway Avenue,
 Union, NJ 07083
 Phone: 908-687-5000
 Fax: 908-687-5710

| APPROVALS | | DATE |
|-----------|----|----------|
| DRAWN | HR | 10/11/18 |
| CHECKED | DH | 10/11/18 |
| APPROVED | | |

| | | |
|---|-------------------------|--------------|
| TITLE .295 [7.50] PITCH SPRING CLAMP TERMINAL BLOCKS, RIGHT ANGLE | | |
| SIZE X | PART NO. EB171A-XX-M | REV. A |
| REF: S00067C | SCALE: NTS | SHEET 1 OF 1 |

6

5

4

3

2

1