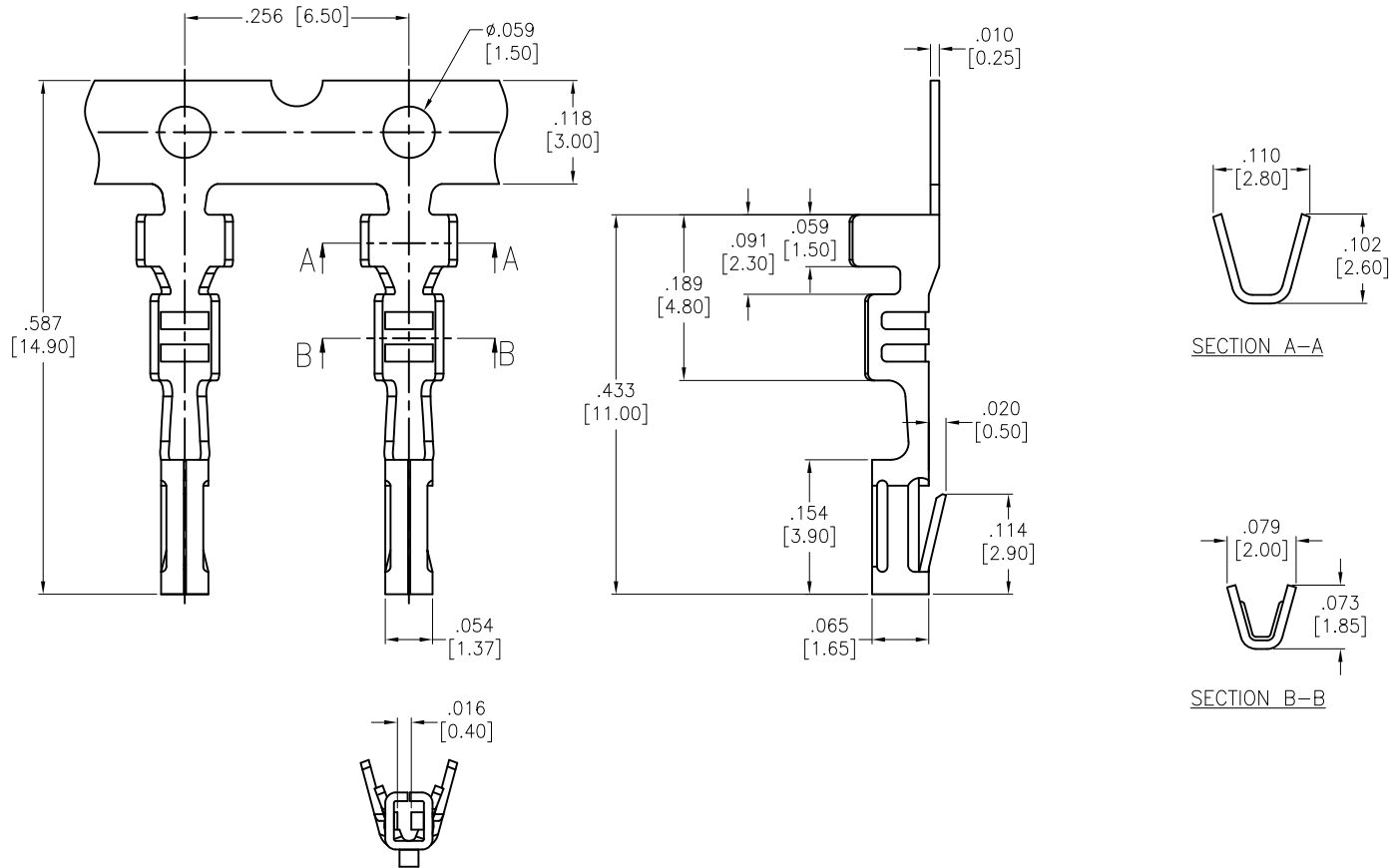


APPROVED: _____
 DATE: _____ TITLE: _____

Rev	AWO #	Description	Date	Appr
-	9632	RELEASED	6/25/10	
A		UPDATE DRAWING	8/12/20	LH/TY



SPECIFICATIONS:

Material: Phosphor Bronze, Tin over Nickel Plated
 Thickness: 0.25mm

Insulation O.D: [.061] 1.55 Max

Electrical:

Rated Current: 3.0A

Contact Resistance: 20 mohms max

Insulation Resistance: 1000 mohms min

Withstand Voltage: 1000 V AC/DC

Mechanical:

Wire Range: AWG#20~#24

Temperature Rating:

Operation temperature: -25°C to +85°C

Environmental:

Lead free, RoHS compliant.



UNLESS OTHERWISE SPECIFIED ALL DIMENSIONS ARE MM [INCHES] TOLERANCES: EXCEPT AS NOTED INCHES HOLES .X ± .10 Ø.X ± .10 .XX ± .020 Ø.XX ± .015 .XXX ± .015 Ø.XXX ± .010		ADAM TECH		909 Rahway Avenue, Union, NJ 07083 Phone: 908-687-5000 Fax: 908-687-5710	
		TITLE: 2.54 TERMINAL FEMALE			
APPROVALS	DATE	SIZE	PART NO.	REV.	
DRAWN	DY	X	DMS-B-C-F-B	A	
CHECKED					
APPROVED		REF: S00019C	SCALE: NTS	SHEET 1 OF 1	