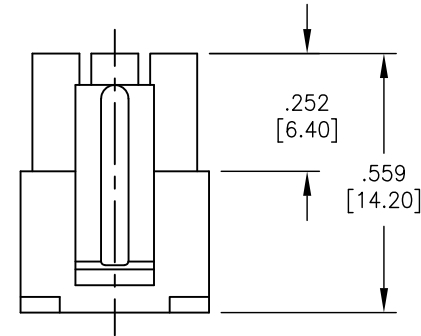
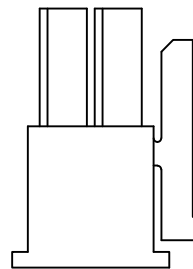
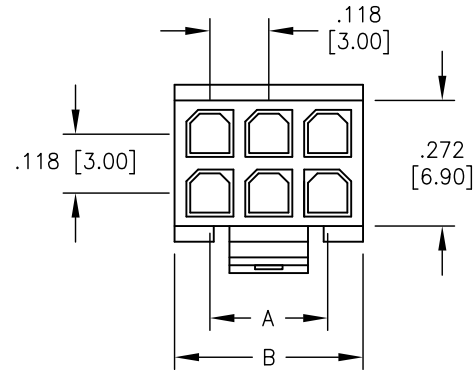
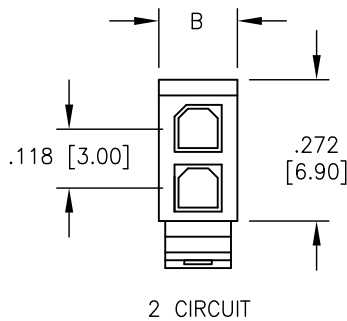


APPROVED: _____

DATE: _____ TITLE: _____

Rev	AWO #	Description	Date	Appr
-		RELEASED	9/9/04	
A		REVISED DIM.	10/4/11	
B		UPDATE SPEC.	3/18/21	LH/KL

NUMBER OF POSITIONS	DIM. A	DIM. B
02	N/A	.157 [4.00]
04	.118 [3.00]	.275 [7.00]
06	.236 [6.00]	.394 [10.00]
08	.354 [9.00]	.512 [13.00]
10	.472 [12.00]	.629 [16.00]
12	.591 [15.00]	.748 [19.00]
14	.709 [18.00]	.866 [22.00]
16	.827 [21.00]	.984 [25.00]
18	.954 [24.00]	1.102 [28.00]
20	1.063 [27.00]	1.220 [31.00]
22	1.181 [30.00]	1.340 [34.00]
24	1.299 [33.00]	1.456 [37.00]



SPECIFICATIONS:

Material:

Insulator: Nylon 66, rated UL 94V-0

Insulator color: Black

Electrical:

Operating voltage: 250 VAC RMS max

Current rating: 20 Awg: 5 Amps max

22 Awg: 5 Amps max

24 Awg: 4 Amps max

26 Awg: 3 Amps max

28 Awg: 2 Amps max

30 Awg: 1 Amp max.

Insulation resistance: 1000 Mohms min @ 500 VDC

Dielectric withstanding voltage: 1500 VAC for 1 minute

Mechanical:

Wire size: 20 Awg thru 30 Awg

Temperature Rating:

Operating temperature: -40°C to +105°C Δ

Environmental:

Lead free, RoHS compliant.



UNLESS OTHERWISE SPECIFIED ALL DIMENSIONS ARE MM [INCHES] TOLERANCES: EXCEPT AS NOTED				909 Rahway Avenue, Union, NJ 07083	
INCHES HOLES				Phone: 908-687-5000	
.X ± .10	∅X ± .10	TITLE .118" [3.0mm] CRIMP HOUSING, MULTI ROW LATCHING TYPE		Fax: 908-687-5710	
.XX ± .020	∅XX ± .015			SIZE X	
.XXX ± .015	∅XXX ± .010	PART NO. DMT-2-XX		REV. B	
APPROVALS DRAWN SS DATE 9/9/04		REF:		SCALE: NTS	
CHECKED		SHEET 1 OF 1			
APPROVED					