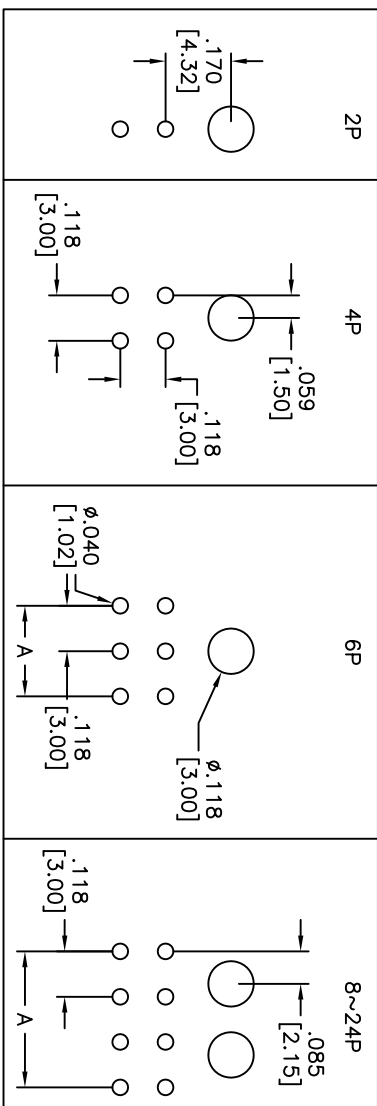
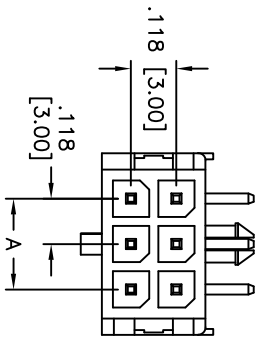


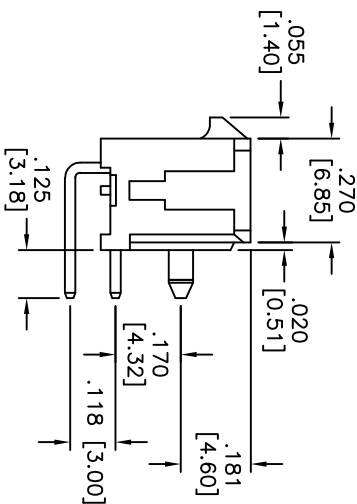
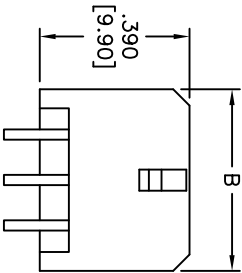
APPROVED: _____

DATE: _____ TITLE: _____

Rev	AWO #	Description	Date	Appr
-		RELEASED	8/20/04	
A		REVISED AND REDRAWN	8/28/06	
B		REDRAWN	3/10/11	
C		UPDATE	5/19/16	AV/LL



RECOMMENDED PCB LAYOUT



POSITIONS	Dimension	
	A	B
2	NA	.262 [6.65]
4	.118 [3.00]	.380 [9.65]
6	.236 [6.00]	.498 [12.65]
8	.354 [9.00]	.616 [15.65]
10	.472 [12.00]	.734 [18.65]
12	.591 [15.00]	.852 [21.65]
14	.709 [18.00]	.970 [24.65]
16	.827 [21.00]	1.088 [27.65]
18	.945 [24.00]	1.206 [30.65]
20	1.063 [27.00]	1.325 [33.65]
22	1.181 [30.00]	1.443 [36.65]
24	1.299 [33.00]	1.561 [39.65]

SPECIFICATIONS:

Material:

Insulator: Hi-Temp Thermoplastic, rated UL 94V-0

Contacts: Brass

Plating:

Tin over Nickel underplate overall

Electrical:

Operating voltage: 250 V

Current rating: 20 & 22 Awg: 5 Amps max

24 Awg: 4 Amps max

26 Awg: 3 Amps max

28 Awg: 2 Amps max

30 Awg: 1 Amp max

Contact resistance: 10 mohms max

Dielectric strength: 1,500 VAC for 1 minute

Mechanical:

Withdrawal Force: 2.5kg Min.

Retention force: 2.5kg min.

Mating durability cycles: 30 min.

Temperature Rating:

Operating Temperature: -25°C top +85°C

Environmental:

Lead free, RoHS compliant.



UNLESS OTHERWISE SPECIFIED ALL DIMENSIONS ARE INCHES [MM] TOLERANCES: EXCEPT AS NOTED

INCHES	HOLDS
.X ± .10	± .10
.XX ± .020	± .015
.XXX ± .015	± .010
.XXX ± .015	± .010

APPROVALS

DATE

DATE

DATE

DATE

ADAM TECH

909 Rahway Avenue, Union, NJ 07083

Phone: 908-687-5000 Fax: 908-687-5710

118 [3.00] DUAL ROW HEADER HORIZONTAL, PCB TYPE

DRAWN	DY	3/09/11	SIZE	PART NO.	DML-XX-AH-T-A	REV.
CHECKED			X			C
APPROVED			REF:	S0072T	SCALE: NTS	SHEET 1 OF 1