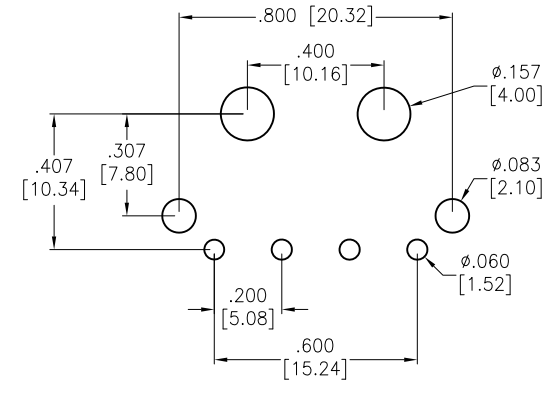
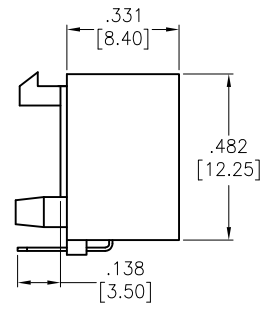
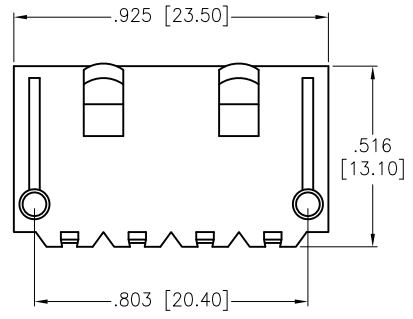
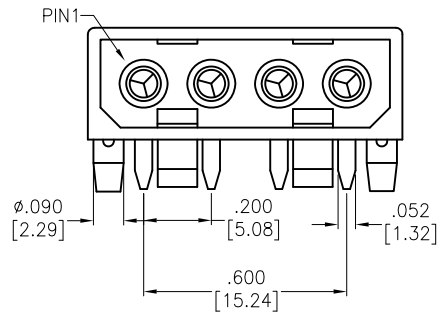


APPROVED: \_\_\_\_\_  
 DATE: \_\_\_\_\_ TITLE: \_\_\_\_\_

Rev	AWO #	Description	Date	Appr
-		RELEASED	9/07/10	
A		UPDATE DRAWING	5/24/21	JJ/LL



RECOMMENDED PCB LAYOUT

**SPECIFICATIONS:**

**Material:**  
 Insulator: Nylon 66, Reinforced, rated UL 94V-2  
 Insulator color: Natural  
 Contacts: Brass

**Plating:**  
 Tin over nickel underplate

**Electrical:**  
 Operation voltage: 250V AC  
 Current rating: 10A  
 Contact resistance: 10 mohms max  
 Insulation resistance: 1000 mohms min.  
 Dielectric withstanding voltage: 1500 VAC for 1 minute

**Temperature rating:**  
 -25°C to +85°C

**Environmental:**  
 Lead Free, RoHS compliant



UNLESS OTHERWISE SPECIFIED ALL DIMENSIONS ARE INCHES [MM]. TOLERANCES: EXCEPT AS NOTED

INCHES		HOLES	
.X	± .10	ØX	± .10
.XX	± .020	ØXX	± .015
.XXX	± .015	ØXXX	± .010

**ADAM TECH** 909 Rahway Avenue,  
 Union, NJ 07083  
 Phone: 908-687-5000  
 Fax: 908-687-5710

DRAWN	DY	9/07/10
CHECKED		
APPROVED		
THIS DRAWING CONTAINS INFORMATION THAT IS PROPRIETARY AND SHOULD NOT BE USED WITHOUT PRIOR WRITTEN PERMISSION FROM ADAM TECH		

TITLE <b>.200 [5.08] RIGHT ANGLE HEADER</b>		
SIZE X	PART NO. DDR-04	REV. A
REF: S00123T	SCALE: NTS	SHEET 1 OF 1