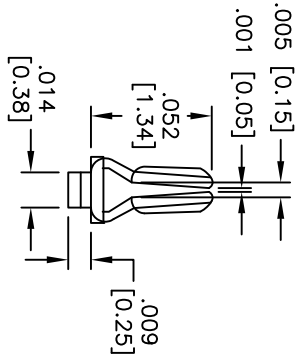
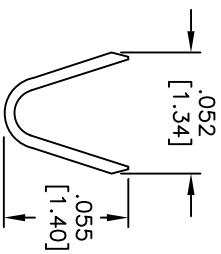
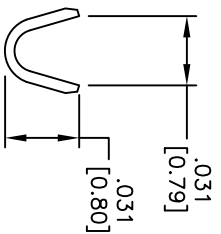
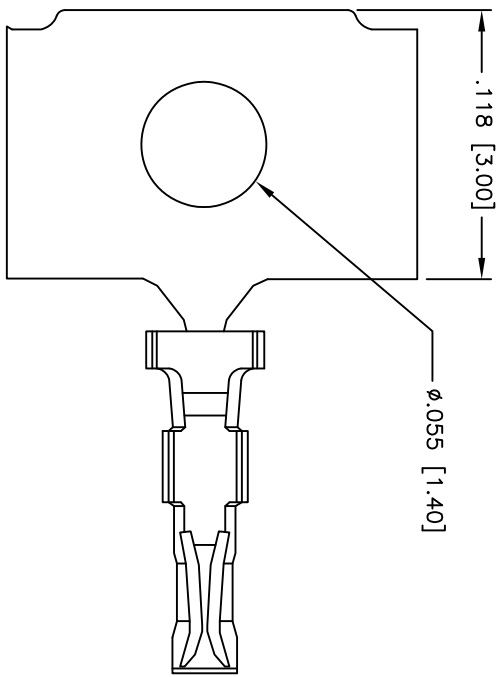
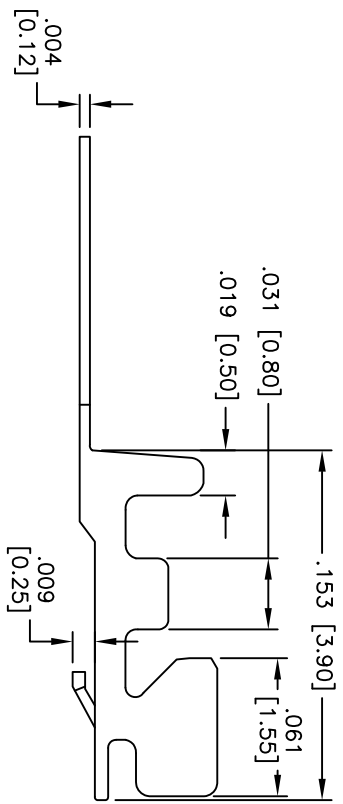


Rev	AWO #	Description	Date	Appr
-		RELEASED	1/28/11	

APPROVED: _____
 DATE: _____ TITLE: _____



SPECIFICATIONS:

- Material: Phosphor Bronze
- Contact: Phosphor Bronze
- Plating: Gold flash over Nickel underplate overall
- Electrical:
 - Operating voltage: 50 VAC max
 - Current rating: 1 Amp max
 - Insulation resistance: 500 Mohms min @ 500 VDC
 - Dielectric withstanding voltage: 500 VAC for 1 minute
 - Contact resistance: 20 mohms max.
- Mechanical:
 - Recommended Wire Awg: 28 - 32 Awg
 - Temperature Rating: Operating temperature: -25°C to +85°C
 - Environmental: Lead free, RoHS compliant

ADAM TECH

909 Railway Avenue, Union, NJ 07083
 Phone: 908-687-5000 Fax: 908-687-5710

SH1.0mm TERMINAL, GOLD PLATED

UNLESS OTHERWISE SPECIFIED ALL DIMENSIONS ARE INCHES [MM]	
TOLERANCES: EXCEPT AS NOTED	
INCHES	HOLDS
.X ± .10	ØX ± .10
.XX ± .020	ØXX ± .015
.XXX ± .015	ØXXX ± .010
APPROVALS	DATE
DRAWN AY	1/28/11
CHECKED JL	1/28/11
APPROVED	

TITLE		SIZE		PART NO.		REV.	
SH1.0mm TERMINAL, GOLD PLATED		X		1CTA-G-R		-	
REF:		SCALE: NTS		SHEET 1 OF 1			