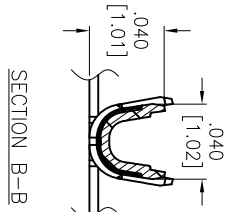
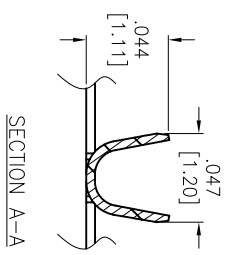
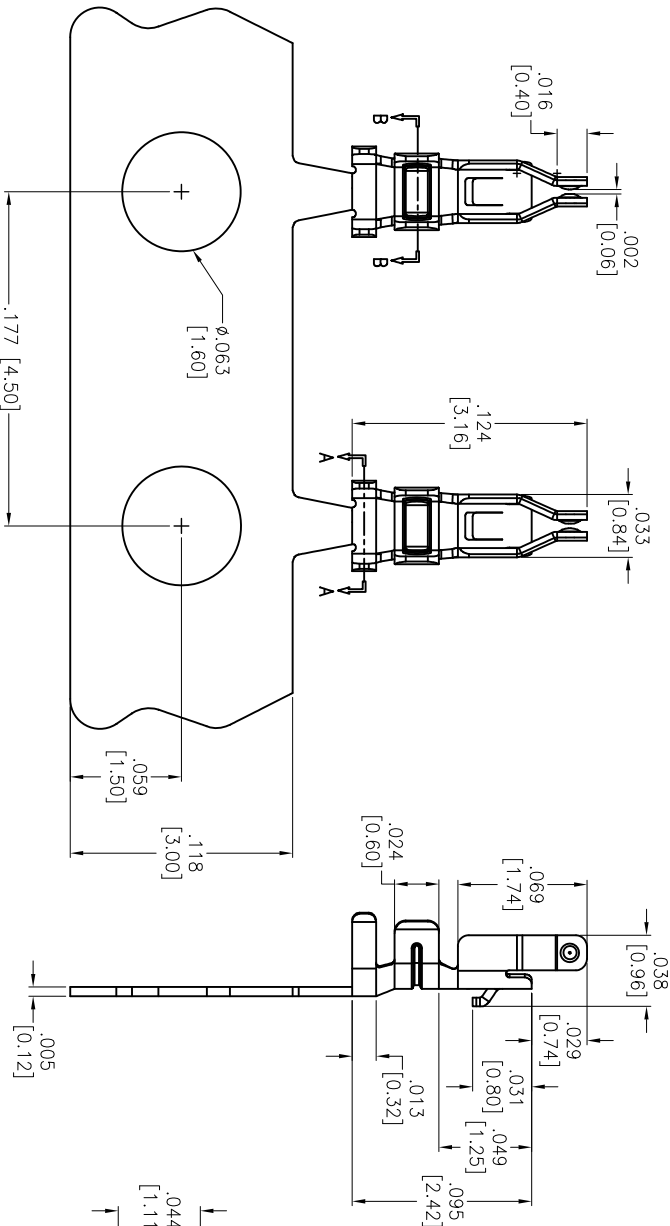
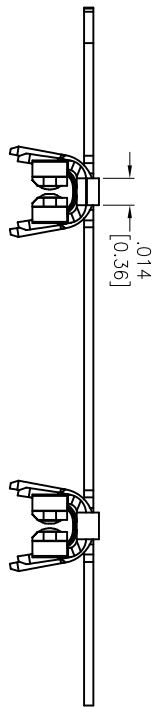


Rev	AWO #	Description	Date	Appr
-		RELEASED	3/11/16	

APPROVED: \_\_\_\_\_  
 DATE: \_\_\_\_\_ TITLE: \_\_\_\_\_



**SPECIFICATIONS:**  
 Material: Copper Alloy  
 Plating: Tin Plated  
 Mechanical:  
 Wire Range: 30-28 AWG.  
**Environmental:**  
 Lead free, RoHS compliant.



UNLESS OTHERWISE SPECIFIED  
 ALL DIMENSIONS ARE INCHES [MM]  
 TOLERANCES: EXCEPT AS NOTED  
 INCHES HOLEES  
 .X ± .10 ØXX ± .10  
 .XX ± .020 ØXXX ± .015  
 .XXX ± .015 ØXXXX ± .010

**ADAM TECH**  
 909 Railway Avenue, Union, NJ 07083  
 Phone: 908-687-5000 Fax: 908-687-5710

APPROVED	AY	3/11/16	SIZE	PART NO.	REV.
CHECKED	SY	3/11/16	X	12CTA1-R	-
DRAWN	AY	3/11/16	REF:	S00124T	SHEET 1 OF 1
APPROVALS			TITLE: CRIMP TERMINAL 1.2mm FOR 12CHA1-XX HOUSING		