

6

5

4

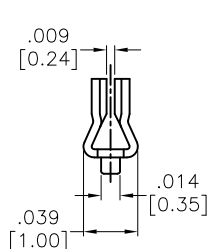
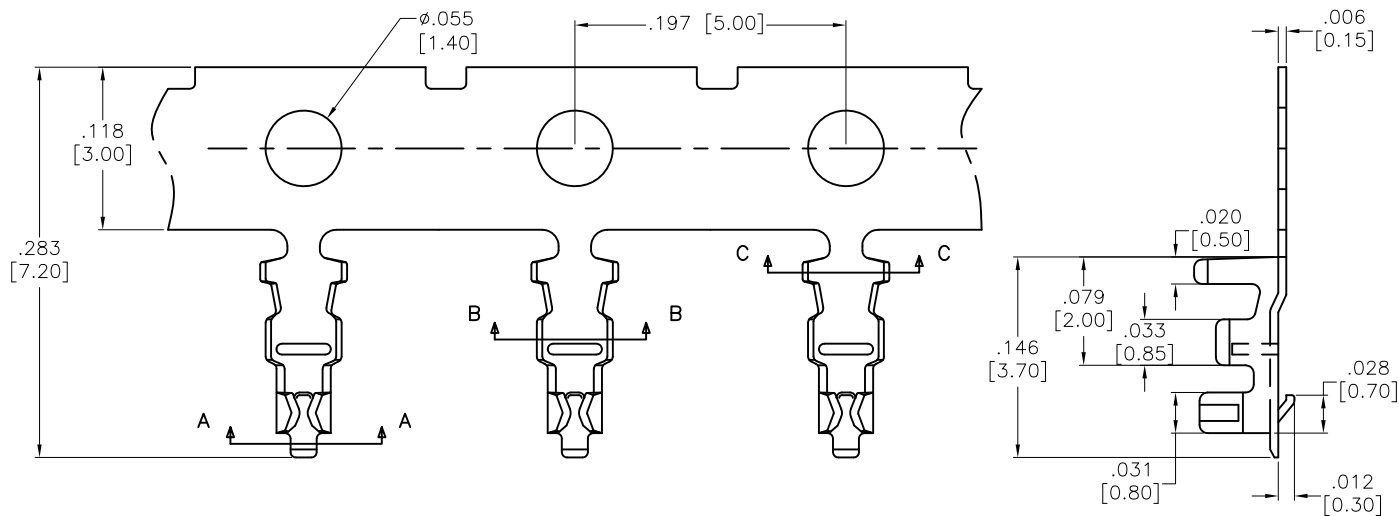
3

2

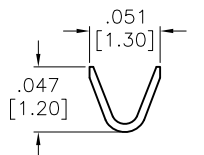
1

APPROVED: \_\_\_\_\_  
 DATE: \_\_\_\_\_ TITLE: \_\_\_\_\_

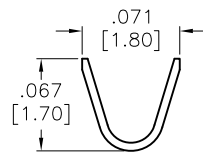
Rev	AWO #	Description	Date	Appr
-		RELEASED	12/15/17	



SECTION A-A



SECTION B-B



SECTION C-C

**SPECIFICATIONS:**

Material: Phosphor Bronze

Plating: Tin Plated

Thickness: 0.15mm

Applicable Wire: AWG#26~#30

Electrical:

Voltage Rating: 150V AC,DC

Current Rating: 1A AC,DC

Contact Resistance: 20 mohms max

Insulation resistance: 1000 Mohms min

Dielectric withstanding voltage: 500 VAC for 1 minute  
-25°C to +85°C

Environmental:

Lead free, RoHS compliant.

UNLESS OTHERWISE SPECIFIED ALL DIMENSIONS ARE INCHES [MM] TOLERANCES: EXCEPT AS NOTED		
INCHES		
.X	± .10	HOLES
.XX	± .020	Ø.XX
.XXX	± .015	Ø.XXX
APPROVALS		DATE
DRAWN	AY	12/15/17
CHECKED	MY	12/15/17
APPROVED		

**ADAM TECH** INTERCONNECTS  
 909 Rahway Avenue,  
 Union, NJ 07083  
 Phone: 908-687-5000  
 Fax: 908-687-5710

TITLE 1.25MM TERMINAL FOR 125CHD-XX			
SIZE X	PART NO. 125CTDC-R	REV. -	
REF: S00124T	SCALE: NTS	SHEET 1 OF 1	

6

5

4

3

2

1