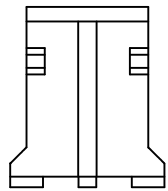
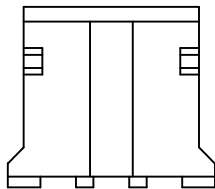


APPROVED: _____
 DATE: _____ TITLE: _____

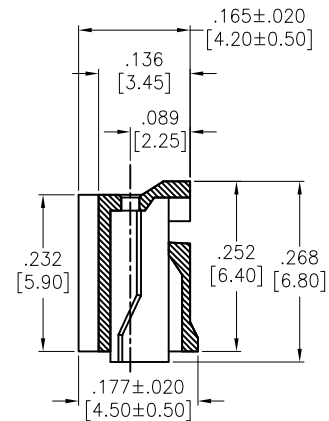
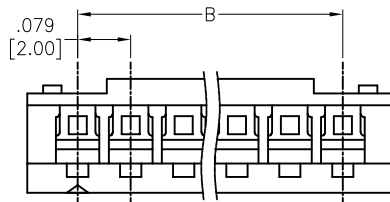
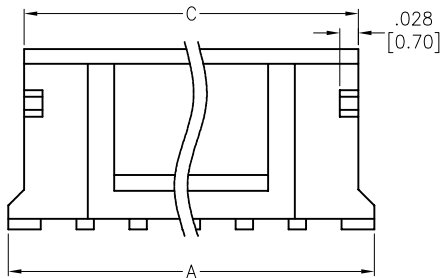
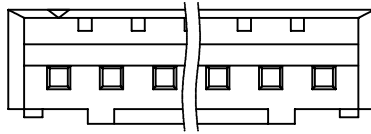
Rev	AWO #	Description	Date	Appr
-		RELEASED	01/08/13	
A		UPDATE SPEC.	1/22/22	LH/YC



2P APPEARANCE



3P APPEARANCE



Positions: 02 thru 16

A = .079 [2.00] x No. of Spaces + .150 [3.80]

B = .079 [2.00] x No. of Spaces

C = .079 [2.00] x No. of Spaces + .102 [2.60]

SPECIFICATIONS:

Material:

Insulator: Nylon 66, rated UL 94V-0

Insulator color: White

Electrical:

Voltage rating: 100 V AC/DC

Current rating: 2A AC/DC

Contact resistance: 20 mohms max

Insulation resistance: 1,000 Mohms min

Dielectric withstanding voltage: 800 VAC for 1 minute

Temperature Rating:

-25°C to +85°C

Environmental:

Lead free, RoHS compliant



UNLESS OTHERWISE SPECIFIED ALL DIMENSIONS ARE INCHES [MM]. TOLERANCES: EXCEPT AS NOTED			
INCHES		HOLES	
.X	±.10	Ø.X	±.10
.XX	±.020	Ø.XX	±.015
.XXX	±.015	Ø.XXX	±.010



909 Rahway Avenue,
 Union, NJ 07083
 Phone: 908-687-5000
 Fax: 908-687-5710

DRAWN	TW	01/08/13
CHECKED	CC	01/08/13
APPROVED		

TITLE		.079 [2.00] CRIMP HOUSING	
		LOW PROFILE, DUAL POLARIZED	
SIZE	PART NO.	REV.	
X	2CH-C-XX-V0	A	

THIS DRAWING CONTAINS INFORMATION THAT IS PROPRIETARY AND SHOULD NOT BE USED WITHOUT PRIOR WRITTEN PERMISSION FROM ADAM TECH

REF:	S00124T	SCALE:	NTS	SHEET	1 OF 1
------	---------	--------	-----	-------	--------