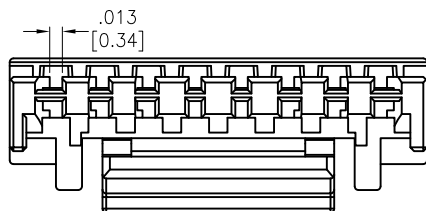
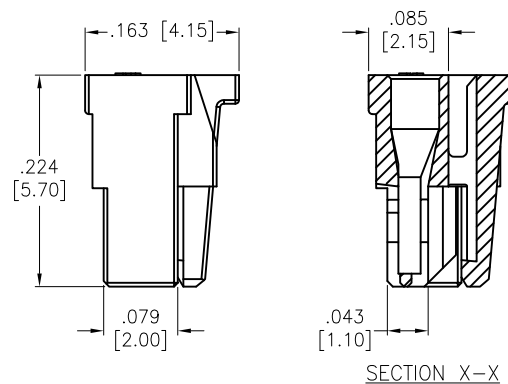
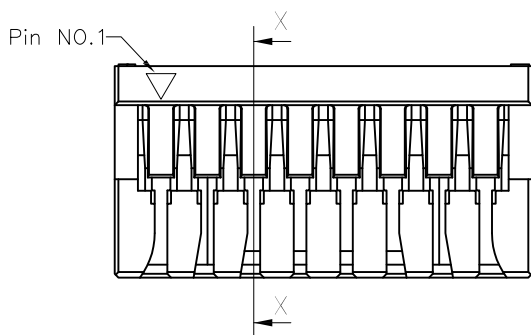
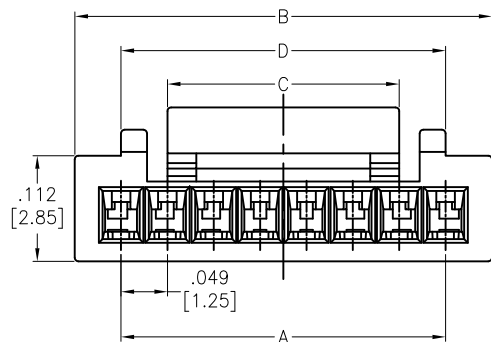


APPROVED: _____
 DATE: _____ TITLE: _____

Rev	AWO #	Description	Date	Appr
-		RELEASED	8/6/13	
A		UPDATE DRAWING	1/29/21	OW/EY



Positions: 02 thru 15
 A= .049 [1.25] x No. of Spaces
 B= .049 [1.25] x No. of Spaces + .098 [2.50]
 C= .049 [1.25] x No. of Spaces + .043 [1.10] (2P)
 .049 [1.25] x No. of Spaces + .028 [0.70] (3P)
 4~5P: .167 [4.25], 6~9P: .246 [6.25], 10~15P: .323 [8.20]
 D= 6~9P: .344 [8.75], 10~15P: .421 [10.70]

SPECIFICATIONS:

Material:
 Insulator: PBT, Glass Filled rated UL 94V-0
 Insulator color: Natural
Electrical:
 Operating voltage: 50V AC/DC
 Current rating: 1A AC/DC
 Contact resistance: 30 mohms max
 Insulation resistance: 100 Mohms min
 Dielectric withstanding voltage: 500V AC for 1 minute
Temperature Rating:
 Operating temperature: -25°C to +85°C
 Environmental:
 Lead free, RoHS compliant.



UNLESS OTHERWISE SPECIFIED ALL DIMENSIONS ARE INCHES [MM] TOLERANCES: EXCEPT AS NOTED		ADAM TECH 909 Rahway Avenue, Union, NJ 07083 Phone: 908-687-5000 Fax: 908-687-5710							
<table border="1"> <thead> <tr> <th>INCHES</th> <th>HOLES</th> </tr> </thead> <tbody> <tr> <td>.X ± .10</td> <td>Ø.X ± .10</td> </tr> <tr> <td>.XX ± .020</td> <td>Ø.XX ± .015</td> </tr> <tr> <td>.XXX ± .015</td> <td>Ø.XXX ± .010</td> </tr> </tbody> </table>				INCHES	HOLES	.X ± .10	Ø.X ± .10	.XX ± .020	Ø.XX ± .015
INCHES	HOLES								
.X ± .10	Ø.X ± .10								
.XX ± .020	Ø.XX ± .015								
.XXX ± .015	Ø.XXX ± .010								
APPROVALS		DATE							
DRAWN	AY	8/6/13							
CHECKED	AL	8/6/13							
APPROVED									
TITLE .049 [1.25] PITCH CRIMP HOUSING									
SIZE X	PART NO. 125CH-K-XX	REV. A							
REF: S00124T	SCALE: NTS	SHEET 1 OF 1							