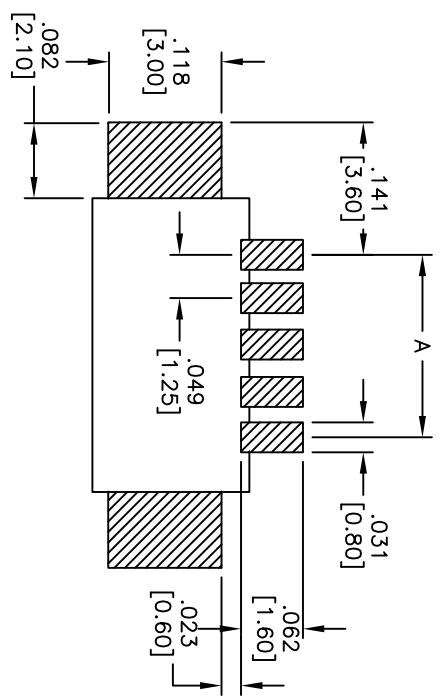
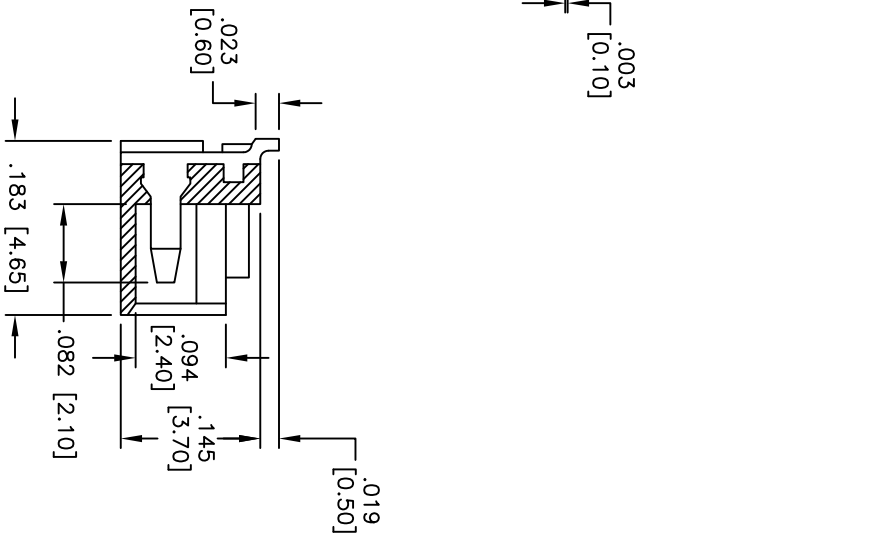
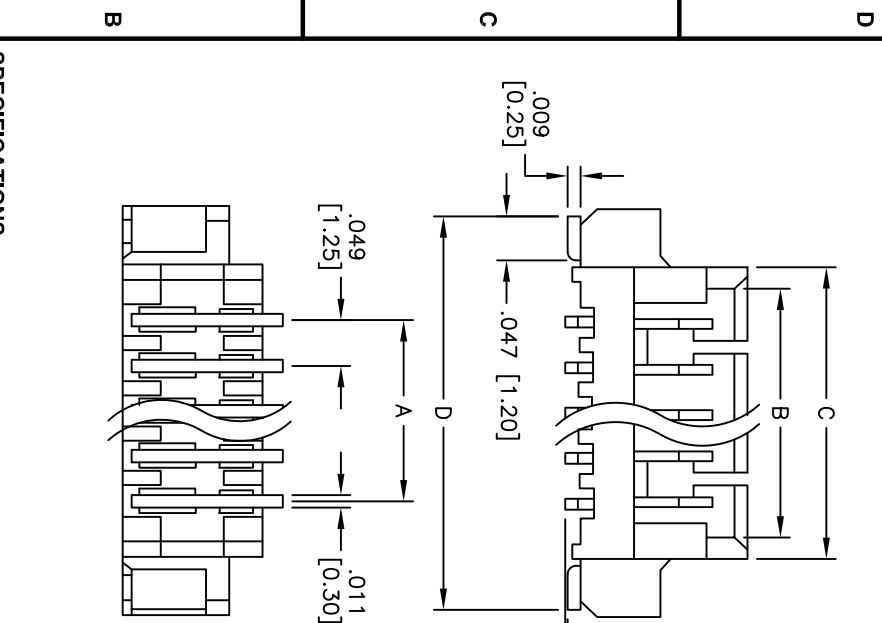


APPROVED: \_\_\_\_\_

DATE: \_\_\_\_\_ TITLE: \_\_\_\_\_

Rev	AWO #	Description	Date	Appr
-		RELEASED	01/17/07	
A		REVISED COLOR	5/11/09	



**SPECIFICATIONS:**

**Material:**  
Insulator: Hi-temp thermoplastic, rated UL 94V-0

**Insulator color:** Ivory

**Contacts:** Brass

**Plating:**  
Tin over Nickel underplate overall

**Electrical:**

Operating voltage: 250 VAC max

Current rating: 1 Amps max

Contact resistance: 20 mohms max

Insulation resistance: 100 Mohms min

Dielectric withstanding voltage: 250 VAC for 1 minute

**Temperature Rating:**

Operating temperature: -40°C to +85°C

Environmental:

Lead free, RoHS compliant.

- A=.049 [1.25] X NO. OF SPACES
- B=.049 [1.25] X NO. OF SPACES X+.070 [1.80]
- C=.049 [1.25] X NO. OF SPACES X+.118 [3.00]
- D=.049 [1.25] X NO. OF SPACES X+.259 [6.60]

UNLESS OTHERWISE SPECIFIED  
ALL DIMENSIONS ARE INCHES [MM]

INCHES	HOLES
.X ±.10	ØX ±.10
.XX ±.020	ØXXX ±.015
.XXX ±.015	ØXXX ±.010

APPROVALS	DATE
DRAWN	BW
CHECKED	
APPROVED	

**ADAM TECH**  
 909 Railway Avenue, Union, NJ 07083  
 Phone: 908-687-5000 Fax: 908-687-5710

SIZE	PART NO.	REV.
X	125SH-B-XX-TS-SMT	A

TITLE: MX 1.25mm WAFER 180° SMT

SCALE: NTS SHEET 1 OF 1