

6

5

4

3

2

1

APPROVED: _____

DATE: _____ TITLE: _____

Rev	AWO #	Description	Date	Appr
-		RELEASED	12/15/21	

D

D

C

C

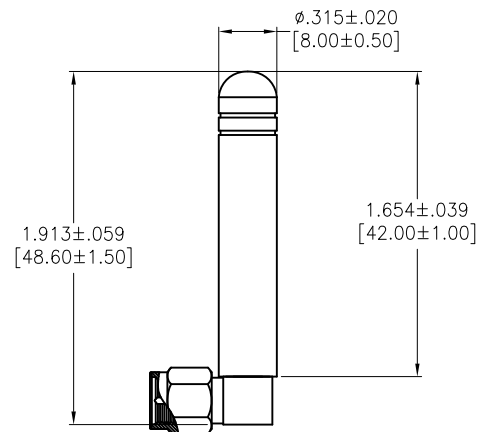
SPECIFICATIONS:

Material:

SMA	SMA-M	Gold
Noumenon	ABS	Black

Electrical:

Standards	868MHz&915MHz&2.4G WiFi&BT		
Frequency range(MHz)	868	915	2400~2500
Peak Gain(dBi)	2.5	3.4	2.0~2.7
Average Gain(dB)	-1.5	-1.4	-2.7~-2.3
VSWR	1.7	1.7	<2.0
Return Loss	-11.4	-11.1	<-10.0
Efficiency (%)	70.6	72.3	54.0~60.0
Polarization mode	Linear		
Radiation pattern	Omni-Directional		
Output impedance	50		
Max.Input Power(W)	25		



B

B

A

A

Mechanical:

Mounting Type	Connector Mount
Connector Type	SMA-Male Standard (right angle)
Antenna size(mm)	48.6Xø8mm
Material	ABS
Operating Temperature	-40°C~+85°C
Storage Temperature	-40°C~+85°C

Environmental:

Lead free, RoHS compliant.

UNLESS OTHERWISE SPECIFIED ALL DIMENSIONS ARE INCHES [MM]. TOLERANCES: EXCEPT AS NOTED

INCHES		HOLES	
.x	± .10	Ø.x	± .10
.xx	± .020	Ø.xx	± .015
.xxx	± .015	Ø.xxx	± .010



909 Rahway Avenue, Union, NJ 07083
Phone: 908-687-5000
Fax: 908-687-5710

DRAWN	WX	12/15/21
CHECKED	RC	12/15/21
APPROVED		

TITLE	868MHz&915MHz & 2.4G WiFi&BT EXTERNAL ANTENNA	
-------	--	--

THIS DRAWING CONTAINS INFORMATION THAT IS PROPRIETARY AND SHOULD NOT BE USED WITHOUT PRIOR WRITTEN PERMISSION FROM ADAM TECH

SIZE	PART NO.	REV.
X	ANT-20090EB56	-
REF:	S00207C	SCALE: NTS SHEET 1 OF 1

6

5

4

3

2

1