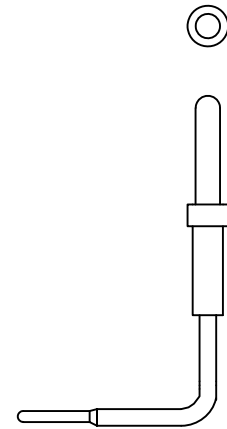
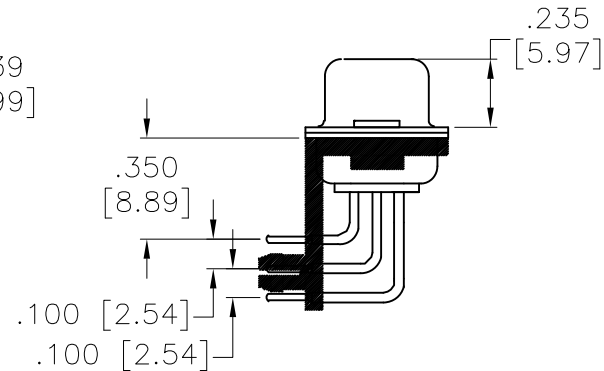
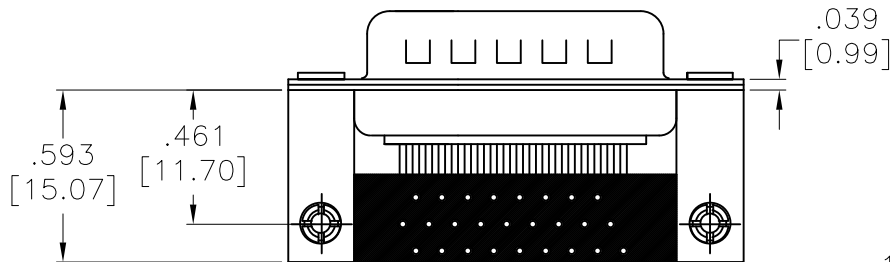
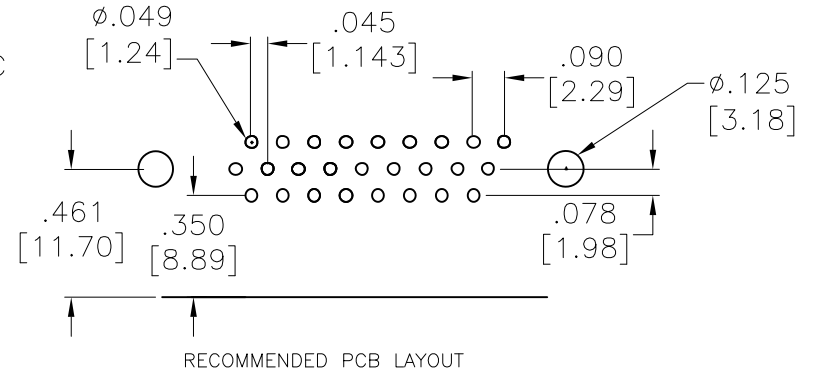
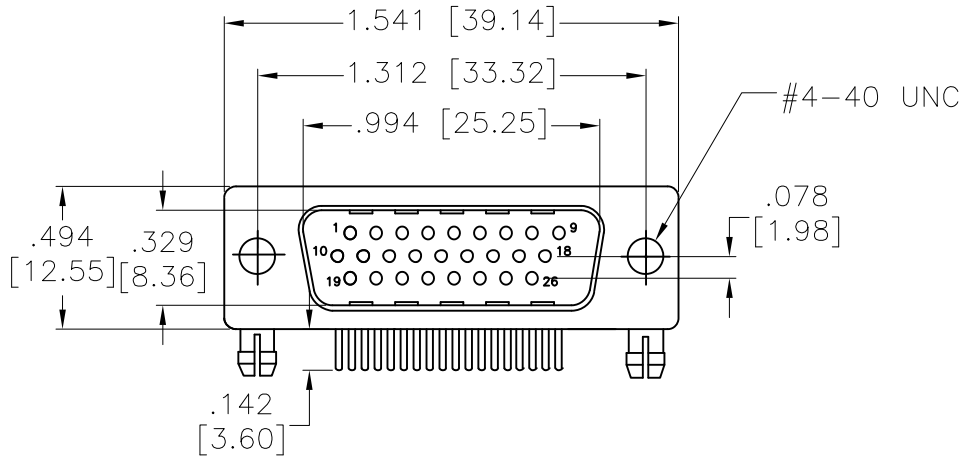



APPROVED: \_\_\_\_\_  
 DATE: \_\_\_\_\_ TITLE: \_\_\_\_\_

Rev	AWO #	Description	Date	Appr
-		RELEASED	11/7/13	
A		REVISED SPEC.	3/27/15	
B		REVISED SPEC.	04/22/15	
C		ADDED SPEC.	7/24/20	AY/AC



MACHINED SINGLE CORE,  
PIN CONTACT

**SPECIFICATIONS:**

Material:  
 Insulator: Hi-temp thermoplastic, rated UL 94V-0  
 Insulator color: Black  
 Contacts: Brass  
 Shell: Steel, Tin plated  
 Metal Bracket: Steel, Nickel plated  
 Boardlock: Brass, Nickel plated  
 Plating:  
 5u" Gold over Nickel underplate overall  
 Electrical:  
 Current rating: 5 Amp  
 Contact resistance: 10 mohms max  
 Insulation resistance: 5,000 Mohms min  
 Dielectric withstanding voltage: 1,000 VAC for 1 minute  
 Mechanical:  
 The mating cycle 500 times.   
 Temperature Rating:  
 Operating temperature: -55°C to +125°C  
 Environmental:  
 Lead free, RoHS compliant



UNLESS OTHERWISE SPECIFIED  
 ALL DIMENSIONS ARE INCHES [MM]  
 TOLERANCES: EXCEPT AS NOTED

INCHES		HOLES	
.X	± .10	∅.X	± .10
.XX	± .020	∅.XX	± .015
.XXX	± .015	∅.XXX	± .010

**ADAM TECH**

909 Rahway Avenue, Union, NJ 07083  
 Phone: 908-687-5000 Fax: 908-687-5710

APPROVALS		DATE
DRAWN	AY	11/7/13
CHECKED	YC	11/7/13
APPROVED		

TITLE .350 [8.89] FOOTPRINT D-SUB,HIGH DENSITY METAL BRACKETS, #4-40UNC THREADED HOLES		
SIZE X	PART NO. HDL26-PH-H2AM-HT-30	REV. C
REF: S00019T	SCALE: NTS	SHEET 1 OF 1