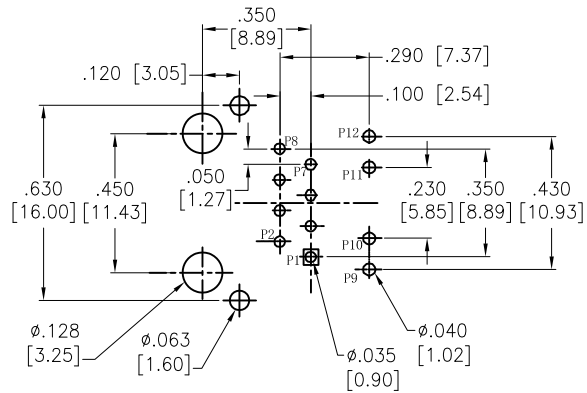
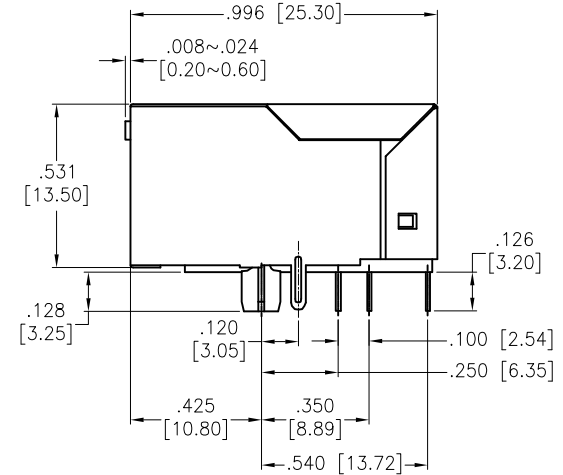
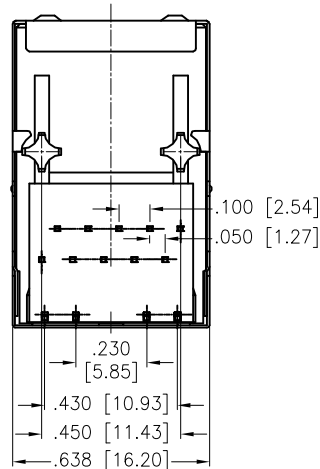
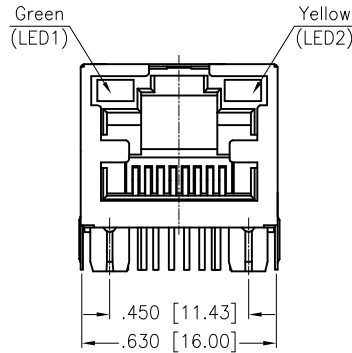


APPROVED: _____
 DATE: _____ TITLE: _____

Rev	AWO #	Description	Date	Appr
-		RELEASED	4/14/10	
A		REDRAWN	3/4/15	AY/MW
B		UPDATE DRAWING	6/15/16	AY/CH



RECOMMENDED P.C.B. LAYOUT



Material:
 Housing: PA66, rated UL 94V-0, Color: Black
 Inserter: PBT, rated UL 94V-0, Color: Black
 Contacts: Copper Alloy
 Shield: Brass, Nickel plated

Plating:
 Round contact
 Gold over Nickel underplate overall
 Flat contact
 Gold over Nickel underplate on contact area,
 Tin over Nickel underplate on solder tails

Electrical:
 Voltage Rating: 150 VAC
 Contact Resistance: 20 mohms max
 Insulation resistance: 500 Mohms min
 Dielectric withstanding voltage: 1500 VAC or 2250 VDC for 1 minute
 Temperature Rating:
 Operating temperature: 0°C to +70°C
 Environmental:
 Lead free, RoHS compliant.



UNLESS OTHERWISE SPECIFIED
 ALL DIMENSIONS ARE INCHES [MM]
 TOLERANCES: EXCEPT AS NOTED
 INCHES HOLES

.X ±.10 Ø.X ±.10
 .XX ±.020 Ø.XX ±.015
 .XXX ±.015 Ø.XXX ±.010

APPROVALS		DATE
DRAWN	DY	4/14/10
CHECKED		
APPROVED		

ADAM TECH
 INTERCONNECTS
 909 Rahway Avenue,
 Union, NJ 07083
 Phone: 908-687-5000
 Fax: 908-687-5710

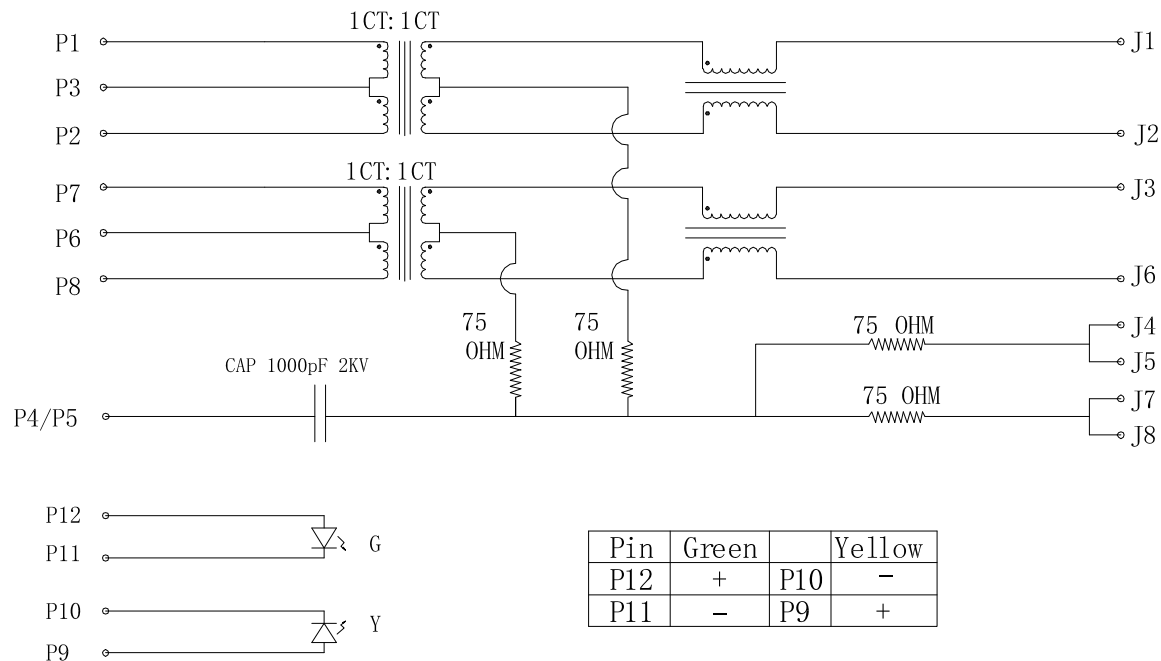
TITLE: MODULAR TELEPHONE JACK, 1 PORT, 8P8C
 W/ LED1 GREEN, LED2 YELLOW

SIZE	PART NO.	REV.
X	MTJ-88SX1-FSD-LH-M35	B
REF: S00005C	SCALE: NTS	SHEET 1 OF 2

APPROVED: _____

DATE: _____ TITLE: _____

Rev	AWO #	Description	Date	Appr
SEE SHT 1 OF 2 FOR REVISION				



Pin	Green		Yellow
P12	+	P10	-
P11	-	P9	+

ELECTRONICAL SPECIFICATIONS

- Turn Ratio @100KHz: (P1~P2):(J1~J2) = 1:1±5%
(P7~P8):(J3~J6) = 1:1±5%
- Primary Inductance: 350uH Min. @ 100KHz, 0.1V 8mA DC BIAS
- DC Resistance: (J1~J2):(J3~J6): 1.2 Ohms Max.
- Insertion Loss: 1-100MHz: -1.2dB Max.
- Return Loss: 1-30MHz: -16dB Min.
30-60MHz: -12dB Min.
60-80MHz: -10dB Min.
- Cross Talk: 1-100MHz: -30dB Min.
- Common to Common Mode Attenuation: 1-100MHz: -30dB Min.
- Isolation: PHY Side to Line Side: 1500VAC or 2250VDC

UNLESS OTHERWISE SPECIFIED ALL DIMENSIONS ARE INCHES [MM] TOLERANCES: EXCEPT AS NOTED INCHES HOLES			
.X ± .10	Ø.X ± .10		
.XX ± .020	Ø.XX ± .015		
.XXX ± .015	Ø.XXX ± .010		
APPROVALS		DATE	
DRAWN	DY	4/14/10	
CHECKED			
APPROVED			

ADAM TECH
INTERCONNECTS
 909 Rahway Avenue,
 Union, NJ 07083
 Phone: 908-687-5000
 Fax: 908-687-5710

TITLE: **MODULAR JACK GANGED, 1 PORT, 8P8C
 W/ LED1 GREEN, LED2 YELLOW**

SIZE	PART NO.	REV.
X	MTJ-88SX1-FSD-LH-M35	B
REF: S00005C	SCALE: NTS	SHEET 2 OF 2