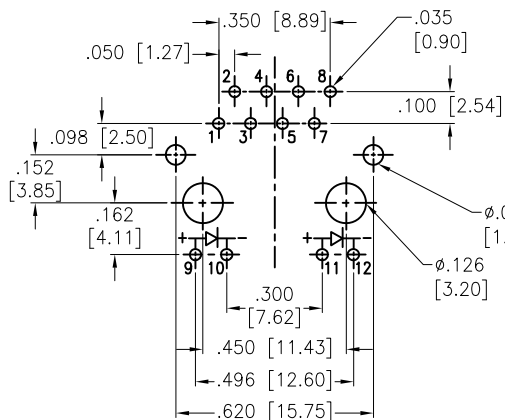
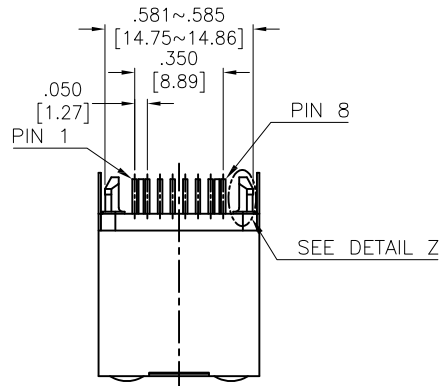
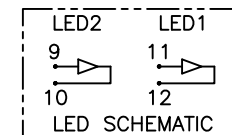
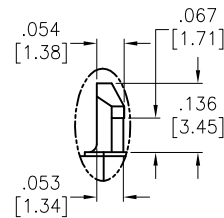
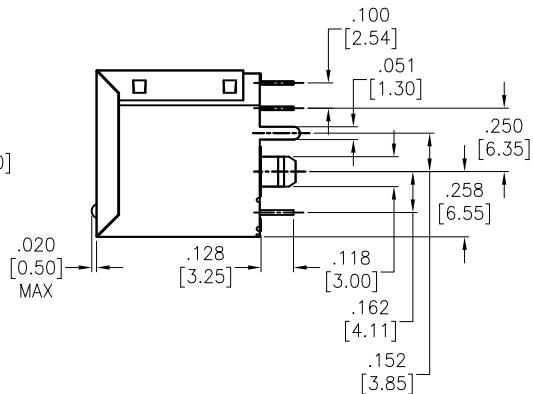
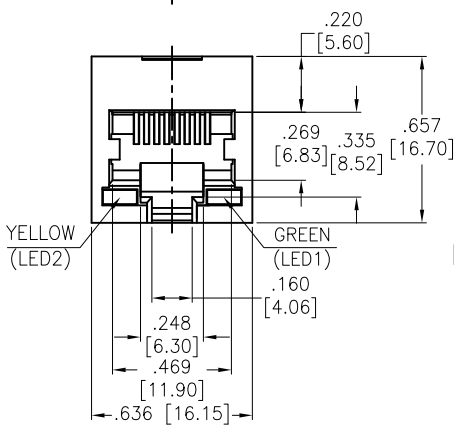


APPROVED: _____
 DATE: _____ TITLE: _____

| Rev | AWO # | Description | Date | Appr |
|-----|-------|----------------|----------|-------|
| - | | RELEASED | 12/24/12 | |
| A | | UPDATE DRAWING | 6/13/22 | WX/RL |



RECOMMENDED PCB LAYOUT



SPECIFICATIONS:

Material:
 Insulator: Hi-Temp Thermoplastic, rated UL 94V-0
 Insulator color: Black
 Contacts: Phosphor Bronze
 Shield: Brass, nickel plated
 LED Solder Tail: Steel
 Plating:

XXu" Gold over Nickel underplate on contact area,
 Gold Flash over Nickel underplate overall

Electrical:
 Voltage Rating: 150 VAC max
 Current rating: 1.5 Amps max
 Contact Resistance: 20 mohms max.
 Insulation resistance: 500 Mohms min @500 VDC
 Dielectric withstanding voltage: 1500 Vrms for 1 minut
 Temperature Rating:
 Operating temperature: -40°C to +85°C
 Environmental:
 Lead free, RoHS compliant.



UNLESS OTHERWISE SPECIFIED ALL DIMENSIONS ARE INCHES [MM]. TOLERANCES: EXCEPT AS NOTED

| INCHES | HOLES |
|-------------|-------------|
| .X ± .10 | ØX ± .10 |
| .XX ± .020 | ØXX ± .015 |
| .XXX ± .015 | ØXXX ± .010 |

ADAM TECH 909 Rahway Avenue,
 Union, NJ 07083
 Phone: 908-687-5000
 Fax: 908-687-5710

| | | |
|--|----|----------|
| DRAWN | AY | 12/24/12 |
| CHECKED | NP | 12/24/12 |
| APPROVED | | |
| THIS DRAWING CONTAINS INFORMATION THAT IS PROPRIETARY AND SHOULD NOT BE USED WITHOUT PRIOR WRITTEN PERMISSION FROM ADAM TECH | | |

| | | |
|--|---------------------------------|--------------|
| TITLE MODULAR TELEPHONE JACK, 8P8C, VERTICAL FULL SHIELD,W/LED1 GREEN, LED2 YELLOW | | |
| SIZE X | PART NO. MTJ-88AX1-FSN-LH-HT | REV. A |
| REF: S00065T | SCALE: NTS | SHEET 1 OF 1 |