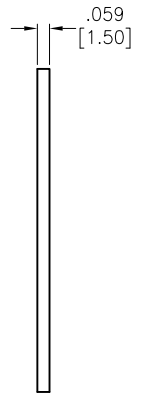
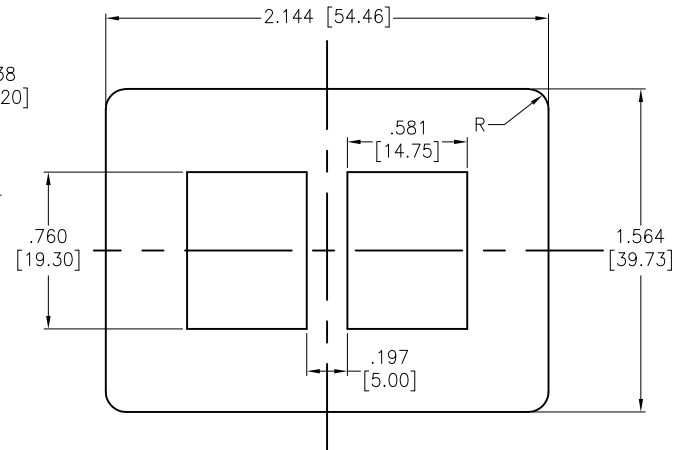
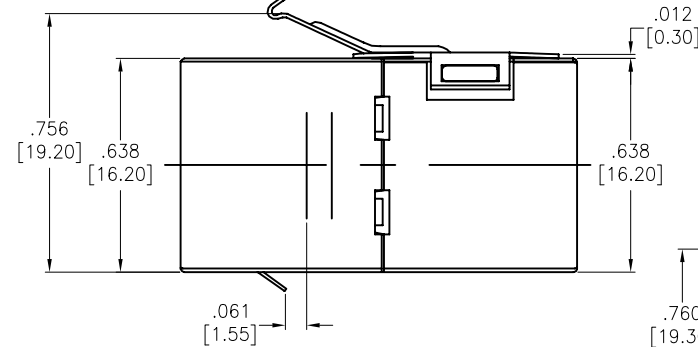
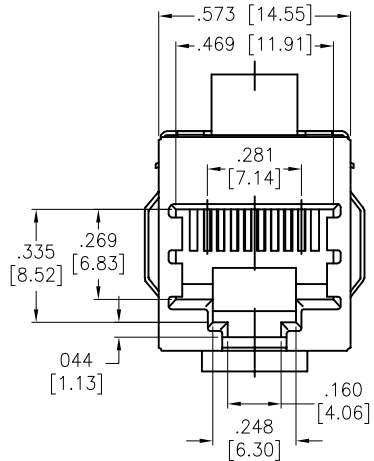
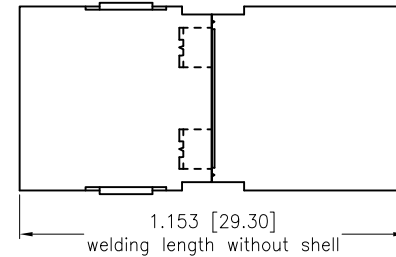
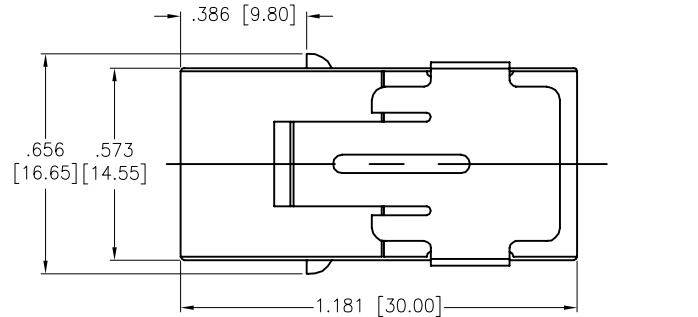


APPROVED: \_\_\_\_\_  
 DATE: \_\_\_\_\_ TITLE: \_\_\_\_\_

Rev	AWO #	Description	Date	Appr
-		RELEASED	5/12/08	
A		REDRAWN	06/01/12	
B		ADDED SPEC.	7/9/14	AY/SY
C		UPDATE SPEC. & DRAWING	5/4/18	AY/DH
D		ADDED PLATING P/N	6/5/18	AY/DH



**SPECIFICATIONS:**

Material:  
 Insulator: ABS, rated UL 94V-0  
 Insulator color: Black  
 Contacts: Brass  
 Shield: Stainless Steel  
 Plating:  
 Gold over Nickel underplate on contact area,  
 Tin over Copper underplate on PCB tails  
 (See chart for thickness)  
 Electrical:  
 Voltage rating: 150 VAC  
 Current rating: 1.5 Amp  
 Contact resistance: 20 mohms max  
 Insulation resistance: 1,000 Mohms min @ 500 VDC  
 Dielectric withstanding voltage: 750 VAC for 1 minute  
**Temperature Rating:**  
 Operating temperature: 0°C to +70°C  
 Environmental:  
 Lead free, RoHS compliant

X	PLATING
0	15 µin Gold
1	30 µin Gold
2	50 µin Gold
6	6 µin Gold

UNLESS OTHERWISE SPECIFIED  
 ALL DIMENSIONS ARE INCHES [MM]  
 TOLERANCES: EXCEPT AS NOTED  
 INCHES HOLES

.X ± .10	∅X ± .10
.XX ± .020	∅XX ± .015
.XXX ± .015	∅XXX ± .010

**ADAM TECH**  
 INTERCONNECTS  
 909 Rahway Avenue,  
 Union, NJ 07083  
 Phone: 908-687-5000  
 Fax: 908-687-5710

APPROVALS		DATE
DRAWN	SS	5/12/08
CHECKED		
APPROVED		

TITLE MODULAR COUPLER, 8P8C TO 8P8C, FULLY SHIELDED, CAT 5E		
SIZE X	PART NO. MTJC-88-X-B-S	REV. D
REF: S00005C	SCALE: NTS	SHEET 1 OF 1