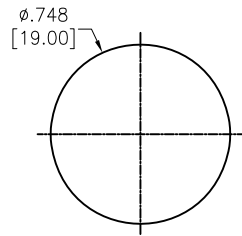
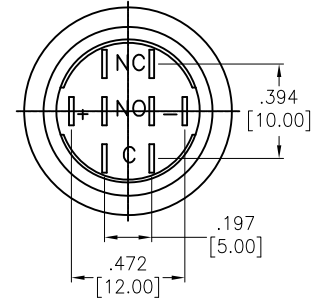
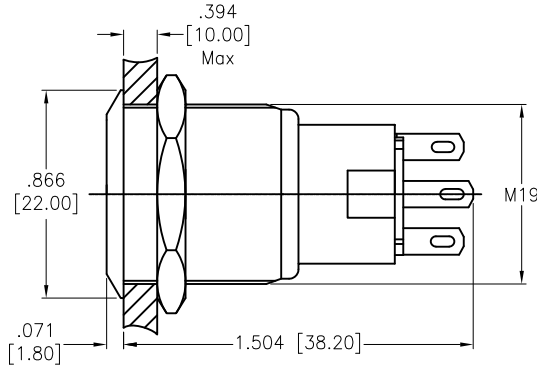
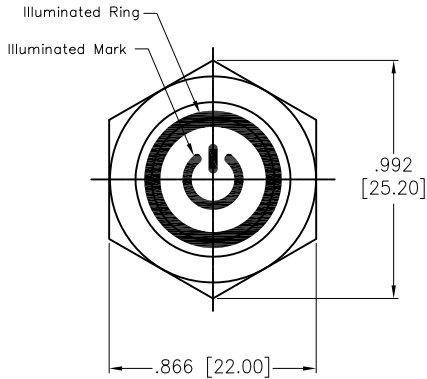
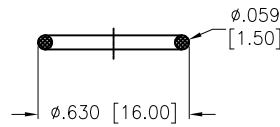


APPROVED: _____
 DATE: _____ TITLE: _____

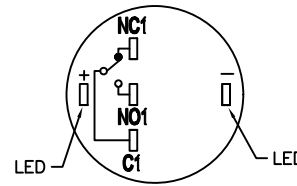
Rev	AWO #	Description	Date	Appr
-		RELEASED	11/2/21	
A		UPDATE SPEC.	11/12/21	WX/RC



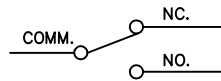
RECOMMENDED PANEL CUT
 MAX.PANEL THICKNESS 10mm



SEAL RING



CIRCUIT



LATCHING
CIRCUIT DIAGRAM
 (SPDT)

SW-PB7-03LB22CFPXXXXX

"x"	LED Color	LED Voltage	
R	Red	6V	6V AC/DC
G	Green	12V	12V AC/DC
Y	Yellow	24V	24V AC/DC
O	Orange	110V	110V AC/DC
B	Blue	220V	220V AC/DC
W	White		

SPECIFICATIONS:

Material:
 Body: PBT, Rated UL94V-0
 Bushing: Stainless Steel, Varnish polished
 Button: Stainless Steel, Varnish polished
 Contact Material: Silver Alloy, (2.8x0.5mm)
 Nut: Brass, Nickel plated

Electrical:
 Voltage rating: 250V
 Current rating: 5A max
 Contact resistance: 50 mΩ max.
 Insulation resistance: 1000M ohms min @ 500V DC.
 Dielectric withstanding voltage: 2000V RMS, 50~60Hz.
 Electrical Life: 50,000 cycles min at full load.

Mechanical:
 Torque: 0.6Nm max.
 Temperature Rating:
 Operating temperature: -25°C to +55°C

Environmental:

Sealed IP67 Rated
 Lead free, RoHS compliant



UNLESS OTHERWISE SPECIFIED ALL DIMENSIONS
 ARE INCHES [MM]. TOLERANCES: EXCEPT AS NOTED

INCHES		HOLES	
.x	±.10	Øx	±.10
.xx	±.020	Ø.xx	±.015
.xxx	±.015	Ø.xxx	±.010

DRAWN	JJ	11/2/21
CHECKED	RC	11/2/21
APPROVED		

THIS DRAWING CONTAINS INFORMATION THAT IS PROPRIETARY
 AND SHOULD NOT BE USED WITHOUT PRIOR WRITTEN
 PERMISSION FROM ADAM TECH



909 Rahway Avenue,
 Union, NJ 07083
 Phone: 908-687-5000
 Fax: 908-687-5710

TITLE SWITCH, ANTI-VANDAL, PUSH BUTTON,
 19mm, LIGHTED RING, SPDT, LATCHING, N.O.-N.C.

SIZE	PART NO.	REV.
X	SW-PB7-03LB22CFPXXXXX	A

REF: S00198T SCALE: NTS SHEET 1 OF 1