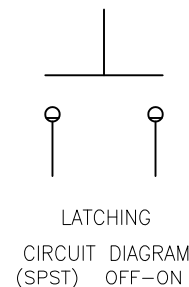
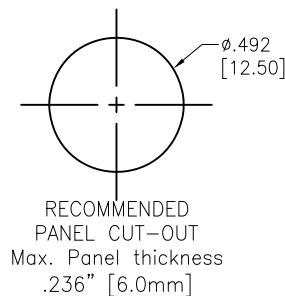
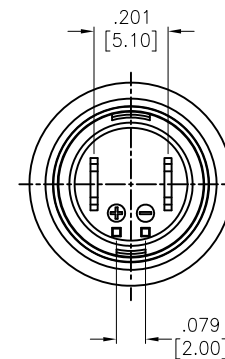
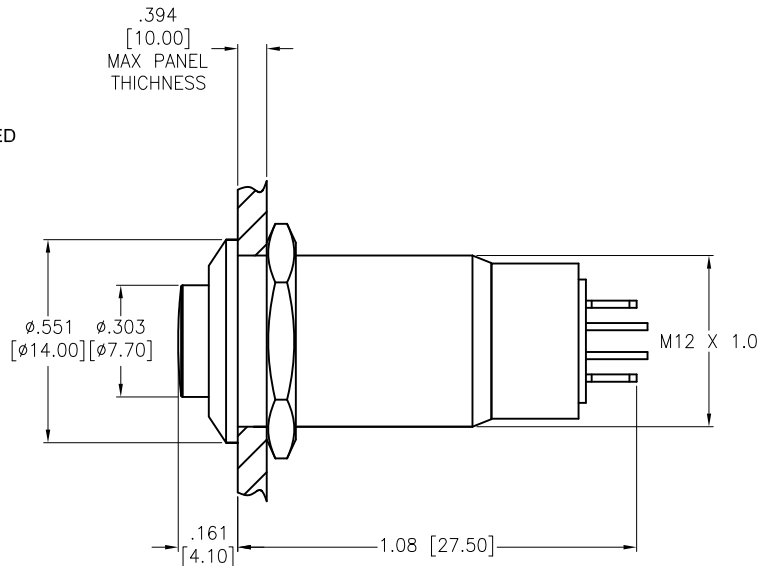
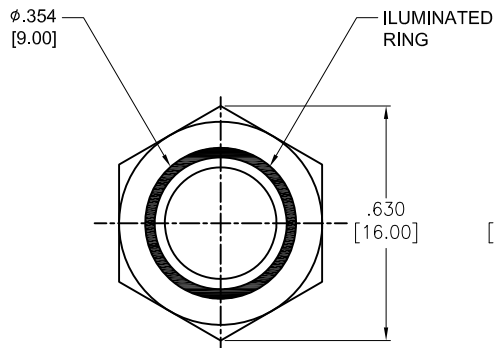


APPROVED: _____
 DATE: _____ TITLE: _____

Rev	AWO #	Description	Date	Appr
-		RELEASED	11/2/21	



SW-PB7-07LB42CRRXXXXX

LED Ring Color		LED Voltage	
R	Red	6V	6V AC/DC
G	Green	12V	12V AC/DC
Y	Yellow	24V	24V AC/DC
O	Orange	36V	36V AC/DC
B	Blue	220V	220V AC
W	White		

SPECIFICATIONS:

Material:
 Body: PA, Rated UL94V-0
 Bushing: Stainless Steel, Varnish polished
 Button: Stainless Steel, Varnish polished
 Contact Material: Silver Alloy, (2.8x0.5mm)
 Terminal: Brass, Silver plated
Electrical:
 Voltage Rating: 220V
 Switch Current Rating: 1A
 Contact resistance: 50 mΩ max.
 Insulation resistance: 1000M ohms min @ 500V DC.
 Dielectric withstanding voltage: 1500V RMS, 50Hz.
 Electrical Life: 50,000 cycles min at full load.
 Led: <=15mA
Mechanical:
 Operating Force: 3.5N max.
 Nut Torque: 0.6Nm max.
 Temperature Rating:
 Operating temperature: -25°C to +55°C
Environmental:
 IP65 Front Panel Protection
 Lead free, RoHS compliant



UNLESS OTHERWISE SPECIFIED ALL DIMENSIONS ARE INCHES [MM]. TOLERANCES: EXCEPT AS NOTED

INCHES		HOLES	
.X	±.10	ØX	±.10
.XX	±.020	ØXX	±.015
.XXX	±.015	ØXXX	±.010

ADAM TECH 909 Rahway Avenue,
 Union, NJ 07083
 Phone: 908-687-5000
 Fax: 908-687-5710

DRAWN	WX	11/2/21
CHECKED	RC	11/2/21
APPROVED		

TITLE: SWITCH, ANTI-VANDAL, PUSH BUTTON, SPST, 12mm, LIGHTED RING, OFF-ON, LATCHING

THIS DRAWING CONTAINS INFORMATION THAT IS PROPRIETARY AND SHOULD NOT BE USED WITHOUT PRIOR WRITTEN PERMISSION FROM ADAM TECH

SIZE	PART NO.	REV.
X	SW-PB7-07LB42CRRXXXXX	-