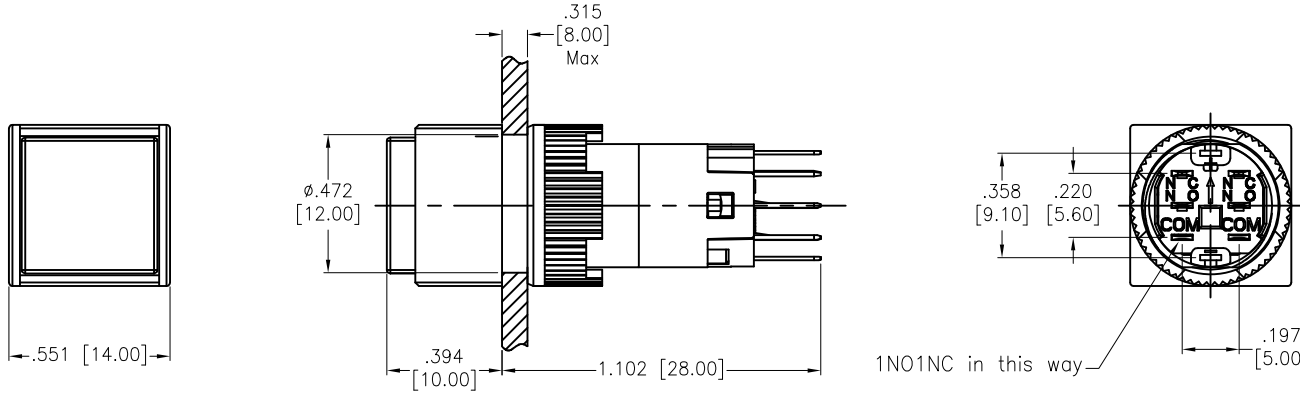
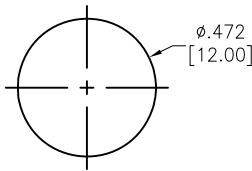


APPROVED: _____
 DATE: _____ TITLE: _____

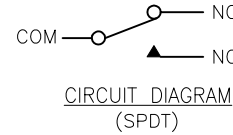
Rev	AWO #	Description	Date	Appr
-		RELEASED	4/12/21	



1N01NC in this way



RECOMMENDED
 PANEL CUT-OUT
 Max. Panel thickness
 .315" [8.0mm]



SW-PB5-AB3BX1X-IP40-8

LED Ring Color		LED Voltage	
R	Red	1.8V	1.8V AC/DC (Red/Yellow)
G	Green	2.8V	2.8V AC/DC (Green/Blue)
Y	Yellow	6V	6V AC/DC
O	Orange	12V	12V AC/DC
B	Blue	24V	24V AC/DC
W	White	110V	110V AC
		220V	220V AC

SPECIFICATIONS:

Material:
 Base: PBT
 Button: PC
 Body: PC
 Contact Material: Silver Alloy
 Electrical:
 Switch Rating: 0.1A @ 220V DC
 0.5A @ 220V AC;
 Contact resistance: 50 m Ω max.
 Insulation resistance: 100M ohms min.
 Dielectric withstanding voltage: 1500V RMS, 50Hz.
 Electrical Life: 50,000 cycles min at full load.
 Temperature Rating:
 Operating temperature: -25°C to +55°C
 Environmental:

Sealed IP40 Rated
 Lead free, RoHS compliant



UNLESS OTHERWISE SPECIFIED ALL DIMENSIONS ARE INCHES [MM] TOLERANCES: EXCEPT AS NOTED		
INCHES		HOLES
.X	$\pm .10$	ϕX $\pm .10$
.XX	$\pm .020$	ϕXX $\pm .015$
.XXX	$\pm .015$	ϕXXX $\pm .010$
APPROVALS		DATE
DRAWN	WX	4/12/21
CHECKED	AC	4/12/21
APPROVED		



909 Rahway Avenue,
 Union, NJ 07083
 Phone: 908-687-5000
 Fax: 908-687-5710

TITLE
 INDUSTRIAL, PUSH BUTTON, SWITCH, SPDT,
 12mm DIA., LIGHTED, MOMENTARY N.O.-N.C.

SIZE X	PART NO. SW-PB5-AB3BX1X-IP40-8	REV. -
REF: -	SCALE: NTS	SHEET 1 OF 1