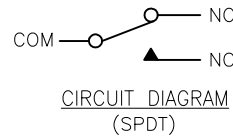
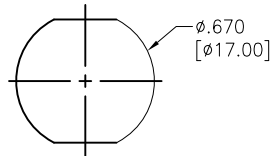
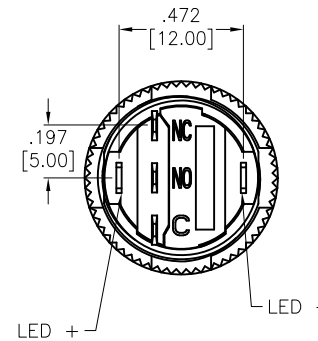
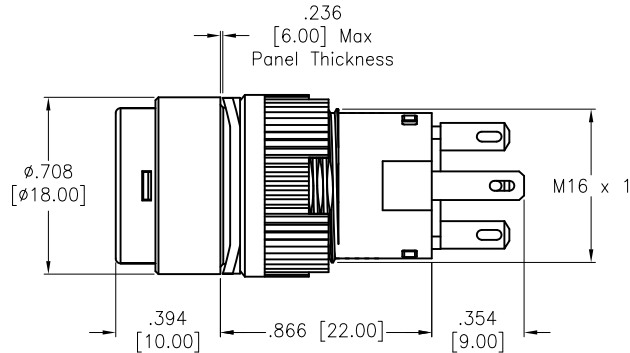
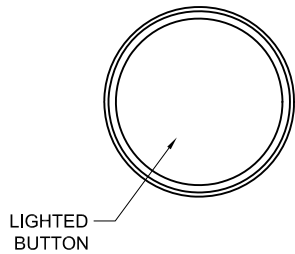


APPROVED: _____
 DATE: _____ TITLE: _____

Rev	AWO #	Description	Date	Appr
-		RELEASED	3/1/21	
A		ADDED TITLE	6/21/21	JJ/RC



SW-PB5-AA2BX1X-IP40-8

LED Ring Color	LED Voltage
R Red	1.8V 1.8V AC/DC
G Green	2.8V 2.8V AC/DC
Y Yellow	6V 6V AC/DC
O Orange	12V 12V AC/DC
B Blue	24V 24V AC/DC
W White	110V 110V AC
	220V 220V AC

LED Voltage	LED Voltage	LED Type
1.8V	1.8V AC/DC	Red/Yellow LED
2.8V	2.8V AC/DC	Green/Blue LED
6V	6V AC/DC	
12V	12V AC/DC	
24V	24V AC/DC	
110V	110V AC	
220V	220V AC	

RECOMMENDED
 PANEL CUT-OUT
 Max. Panel thickness
 .236" [6.0mm]

SPECIFICATIONS:

Material:
 Base: PBT, Rated UL94V-0
 Bushing: PC
 Nut: PC
 Contact Material: Silver Alloy
 Electrical:
 Switch Rating: 0.7A @ 12V / 24V DC (Inductive)
 1A @ 12V / 24V DC (Resistive)
 0.7A @ 110V AC (Inductive)
 1A @ 110V AC (Resistive)
 0.5A @ 220V AC (Inductive)
 0.5A @ 220V AC (Resistive)
 Contact resistance: 50 mΩ max.
 Insulation resistance: 100M ohms min.
 Dielectric withstanding voltage: 1000V RMS, 50Hz.
 Electrical Life: 50,000 cycles min at full load.
 Temperature Rating:
 Operating temperature: -25°C to +55°C
 Environmental:
 IP40 Front Panel Protection
 Lead free, RoHS compliant



UNLESS OTHERWISE SPECIFIED ALL DIMENSIONS ARE INCHES [MM]. TOLERANCES: EXCEPT AS NOTED

INCHES		HOLES	
.x	±.10	Øx	±.10
.xx	±.020	Øxx	±.015
.xxx	±.015	Øxxx	±.010

ADAM TECH 909 Rahway Avenue,
 Union, NJ 07083
 Phone: 908-687-5000
 Fax: 908-687-5710

DRAWN	SS	3/1/21
CHECKED	AC	3/1/21
APPROVED		

TITLE: INDUSTRIAL, PUSH BUTTON, SWITCH, SPDT,
 16mm DIA., LIGHTED, MOMENTARY

THIS DRAWING CONTAINS INFORMATION THAT IS PROPRIETARY AND SHOULD NOT BE USED WITHOUT PRIOR WRITTEN PERMISSION FROM ADAM TECH

SIZE X	PART NO. SW-PB5-AA2BXR1X-IP40-8	REV. A
-----------	------------------------------------	-----------