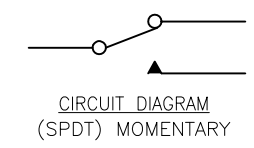
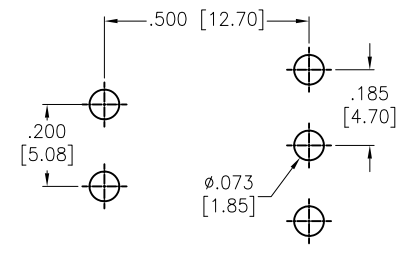
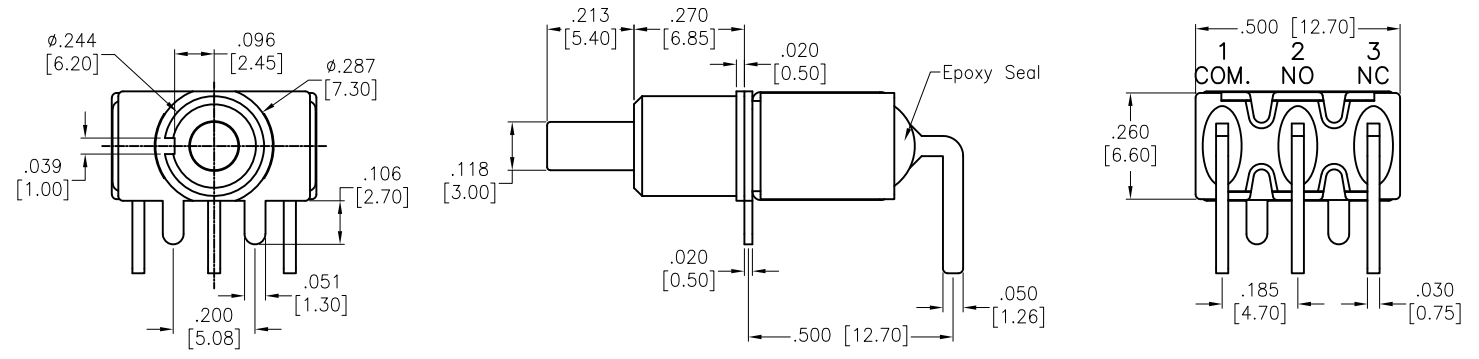


Rev	AWO #	Description	Date	Appr
-		RELEASED	2/9/21	

APPROVED: \_\_\_\_\_  
DATE: \_\_\_\_\_ TITLE: \_\_\_\_\_



**SPECIFICATIONS:**  
Material:  
Movable Contact: Copper Alloy, Silver Plated  
Terminal: Copper Alloy, Silver Plated  
Electrical:  
Voltage rating: 120VAC or 38VDC  
Current rating: 1 Amps  
Contact resistance: 10 mΩ max  
Insulation resistance: 1,000 Mohms min  
Dielectric withstanding voltage: 1,500V RMS @Sea level  
Temperature Rating:  
Operating temperature: -30°C to +85°C  
Environmental:  
Lead free, RoHS compliant



UNLESS OTHERWISE SPECIFIED ALL DIMENSIONS ARE INCHES [MM] TOLERANCES: EXCEPT AS NOTED		
INCHES		
.X ± .10	∅.X ± .10	HOLES
.XX ± .020	∅.XX ± .015	
.XXX ± .015	∅.XXX ± .010	
APPROVALS		DATE
DRAWN	LH	2/8/21
CHECKED	AC	2/8/21
APPROVED		

**ADAM TECH** 909 Rahway Avenue,  
Union, NJ 07083  
Phone: 908-687-5000  
Fax: 908-687-5710

TITLE: SNAP-ACTING PUSH BUTTON SWITCH, R/A, THRU-HOLE SPDT, ON-MOMENTARY, SILVER PLATED, PCB TYPE

SIZE	PART NO.	REV.
X	SW-PB8-AB00B6QE-1	-

REF: S00198T SCALE: NTS SHEET 1 OF 1

6 5 4 3 2 1

6 5 4 3 2 1

D  
C  
B  
A

D  
C  
B  
A