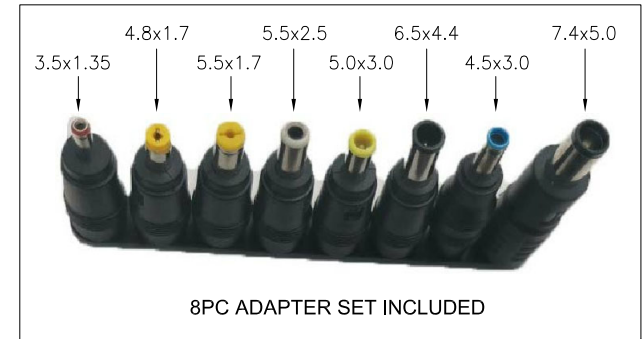
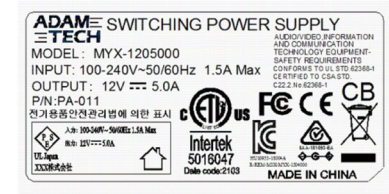
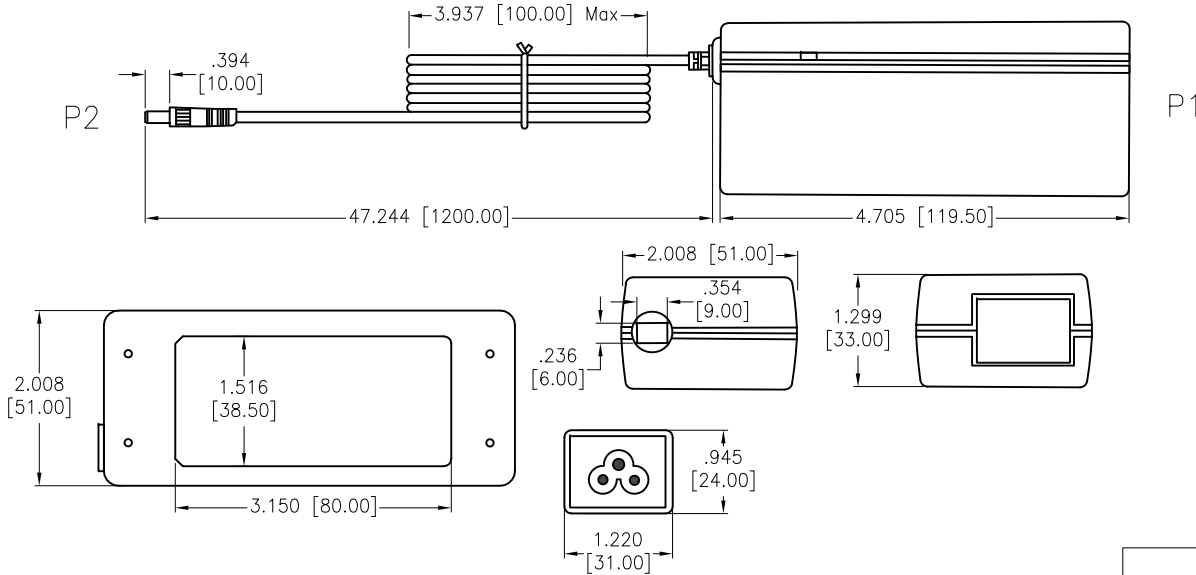


APPROVED: _____
 DATE: _____ TITLE: _____

Rev	AWO #	Description	Date	Appr
-		RELEASED	3/24/21	
A		UPDATE DRAWING	4/27/21	WX/AC
B		UPDATE DIM	6/11/21	JJ
C		UPDATE DIM	6/17/21	WX/LL
D		UPDATE DIM ON DC PLUG I.D. to 2.5mm	10/26/22	SS



SPECIFICATIONS:

Connector
 P1: Power Adapter, W/Strain Relief, Shell: PC+ABS
 P2: DC Plug, W/Strain Relief, 5.5*2.5*10mm
 CABLE:
 UL2464: 18AWG, Jacket Color: Black

Electrical:
 Input:
 Voltage: 100Vac to 240Vac
 Current: 1.5A Max. @ 90Vac input & max load
 Frequency: 47Hz / 63Hz
 Output:
 Voltage: 12V
 Current: 5A max.
 Load Regulation: ±5%
 Line Regulation: ±1%

Line Load Regulation-Output Rate: 12V, 5A
 Insulator Resistance: 10 Mohms min @ 500VDC
 Dielectric Strength(Hi-pot): 3,000V AC For 1 Minute
 Temperature Rating:
 Operating Temperature: -20°C to +40°C
 Storage Temperature: -20°C to +75°C

Environmental:
 Lead free, RoHS compliant. **RoHS COMPLIANT**

UNLESS OTHERWISE SPECIFIED ALL DIMENSIONS ARE INCHES [MM]. TOLERANCES: EXCEPT AS NOTED

INCHES		HOLES	
.X	± .10	ØX	± .10
.XX	± .020	ØXX	± .015
.XXX	± .015	ØXXX	± .010

DRAWN	WX	3/24/21
CHECKED	AC	3/24/21
APPROVED		

THIS DRAWING CONTAINS INFORMATION THAT IS PROPRIETARY AND SHOULD NOT BE USED WITHOUT PRIOR WRITTEN PERMISSION FROM ADAM TECH

ADAM TECH 909 Rahway Avenue, Union, NJ 07083
 Phone: 908-687-5000
 Fax: 908-687-5710

TITLE: SWITCHING POWER SUPPLY, 12 VOLT, 5AMP, UL2464 18AWG, 5.5X2.5X10MM, COLOR BLACK

SIZE: X PART NO.: PA-011 REV.: D

REF: SCALE: NTS SHEET 1 OF 1