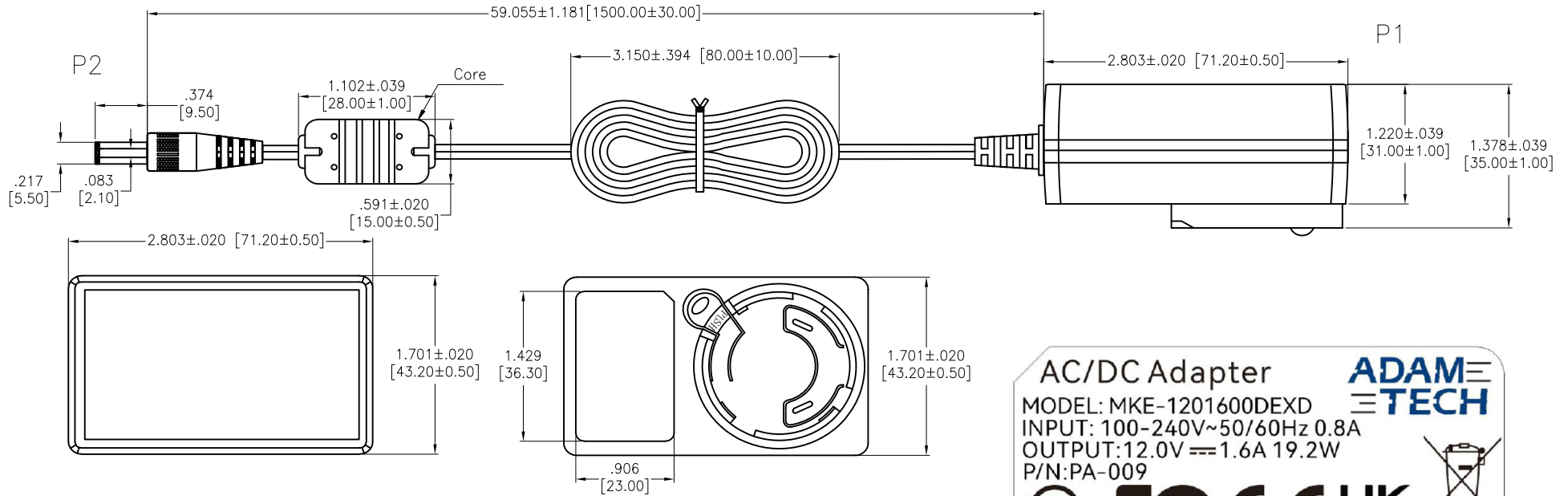


APPROVED: \_\_\_\_\_

DATE: \_\_\_\_\_ TITLE: \_\_\_\_\_

Rev	AWO #	Description	Date	Appr
-		RELEASED	3/23/21	
A		ADDED TOLERANCE	6/10/21	WX/AC
B		UPDATE LABEL	7/19/21	WX/AC
C		UPDATE LABEL	1/12/24	WX/SL
D		UPDATE TITTLE 20AWG	2/26/24	LH/SL



**SPECIFICATIONS:**

Connector

P1: Power Adapter, W/Strain

P2: DC Plug, W/Strain Relief, AC PIN: Brass Nickel plated, 5.5\*2.1\*9.5mm

Overmold Color: Black PVC-45P

CABLE:

UL2468: 20AWG\*2C 80°C, Jacket Color: Black

Electrical:

Input:

Voltage: 100Vac to 240Vac

Current: 0.8A Max.

Frequency: 50Hz / 60Hz

Output:

Voltage: 12V

Current: 1.6A max.

Load Regulation: ±5%

Line Regulation: ±1%

Line Load Regulation-Output Rate: 12V, 1.6A

Insulation Resistance: 50 Mohms min @ 500VDC

Dielectric withstanding voltage (Hi-pot): 3,000V AC For 1 Minute

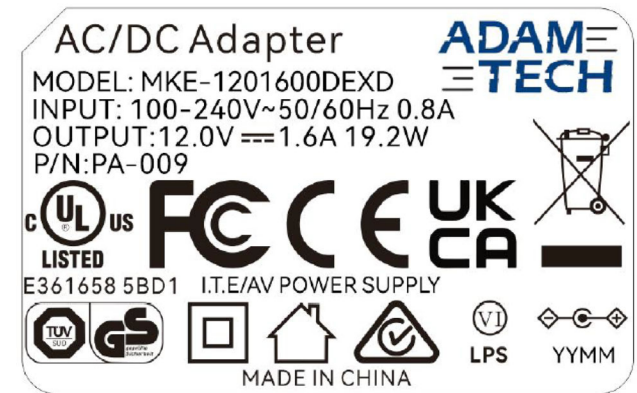
Leakage Current: 0.5mA max. @ 240V AC/50Hz

Temperature Rating:

Operating Temperature: 0°C to +45°C

Environmental:

Lead free, RoHS compliant.



SEE SHT 2 OF 2 FOR PLUG TYPE OPTIONS

UNLESS OTHERWISE SPECIFIED ALL DIMENSIONS ARE INCHES [MM]. TOLERANCES: EXCEPT AS NOTED		
INCHES		HOLES
.X ± .10		ØX ± .10
.XX ± .020		ØXX ± .015
.XXX ± .015		ØXXX ± .010

DRAWN	WX	3/23/21
CHECKED	AC	3/23/21
APPROVED		

THIS DRAWING CONTAINS INFORMATION THAT IS PROPRIETARY AND SHOULD NOT BE USED WITHOUT PRIOR WRITTEN PERMISSION FROM ADAM TECH

**ADAM TECH**  
909 Rahway Avenue,  
Union, NJ 07083  
Phone: 908-687-5000  
Fax: 908-687-5710

TITLE  
**POWER ADAPTER TO DC PLUG, COLOR BLACK  
12 VOLT, 1.6AMP, UL2468 20AWG, 5.5X2.1X9.5MM**

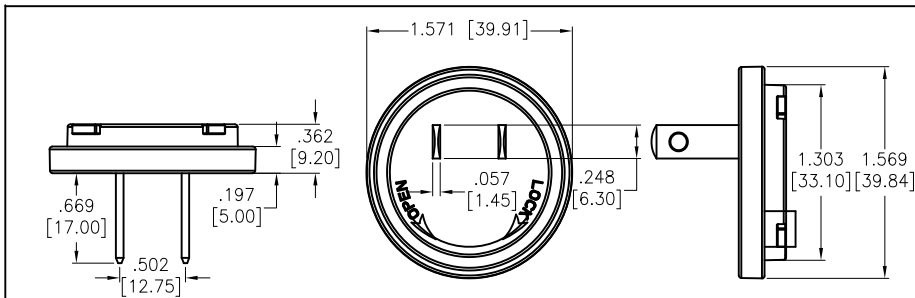
SIZE	PART NO.	REV.
X	PA-009-X	C

REF: \_\_\_\_\_ SCALE: NTS SHEET 1 OF 2

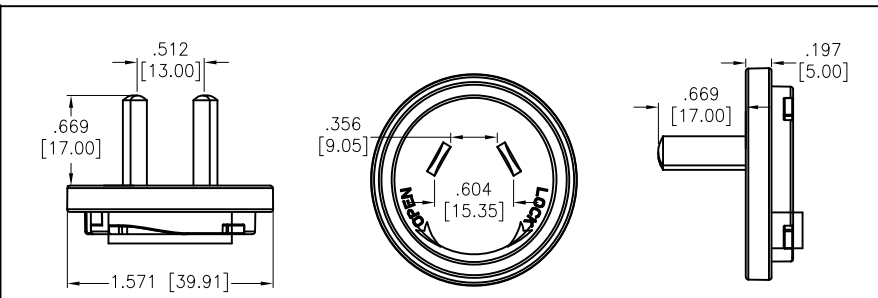
APPROVED: \_\_\_\_\_

DATE: \_\_\_\_\_ TITLE: \_\_\_\_\_

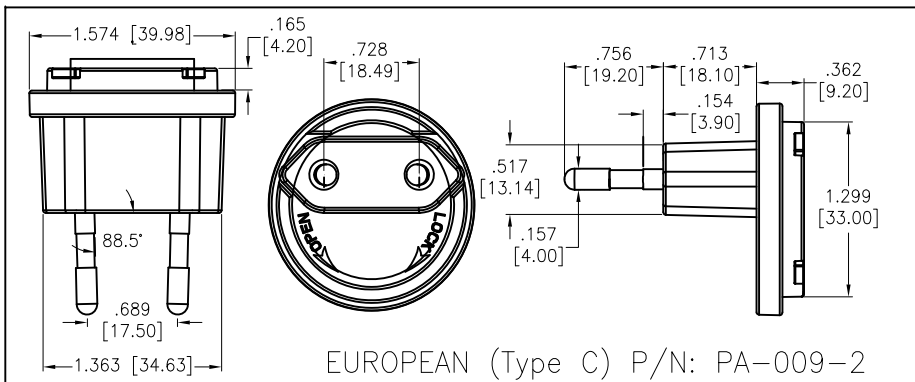
Rev	AWO #	Description	Date	Appr
SEE SHT 1 OF 2 FOR REVISION				



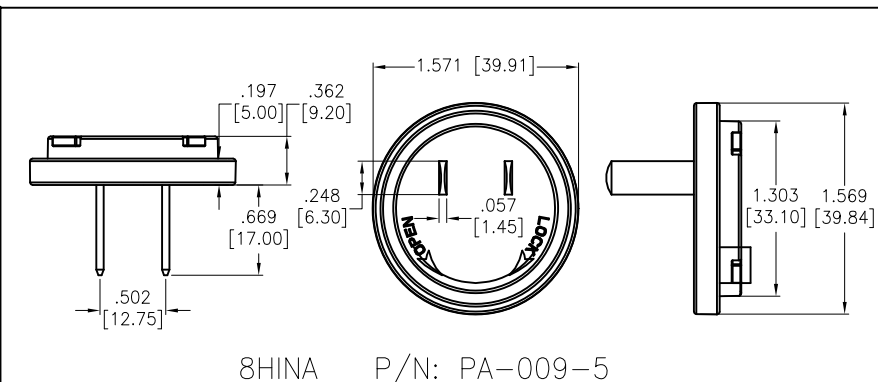
US (NEMA 1-15) P/N: PA-009-1



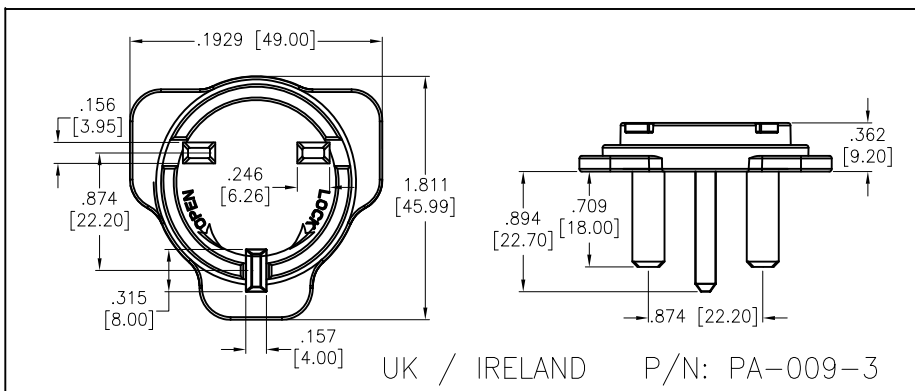
AUSTRALIAN P/N: PA-009-4



EUROPEAN (Type C) P/N: PA-009-2



8HINA P/N: PA-009-5



UK / IRELAND P/N: PA-009-3

UNLESS OTHERWISE SPECIFIED ALL DIMENSIONS ARE INCHES [MM]. TOLERANCES: EXCEPT AS NOTED

INCHES	HOLES
.X ± .10	Ø.X ± .10
.XX ± .020	Ø.XX ± .015
.XXX ± .015	Ø.XXX ± .010

**ADAM TECH**  
 909 Rahway Avenue,  
 Union, NJ 07083  
 Phone: 908-687-5000  
 Fax: 908-687-5710

DRAWN	WX	3/23/21
CHECKED	AC	3/23/21
APPROVED		
THIS DRAWING CONTAINS INFORMATION THAT IS PROPRIETARY AND SHOULD NOT BE USED WITHOUT PRIOR WRITTEN PERMISSION FROM ADAM TECH		

TITLE POWER ADAPTER TO DC PLUG, COLOR BLACK 12 VOLT, 1.6AMP, UL2468 20AWG, 5.5X2.1X9.5MM		
SIZE X	PART NO. PA-009-X	REV. C
REF:	SCALE: NTS	SHEET 2 OF 2