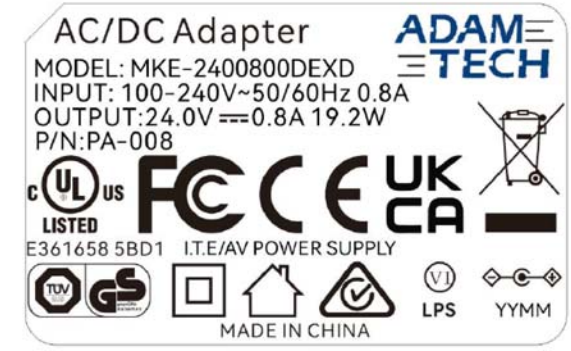
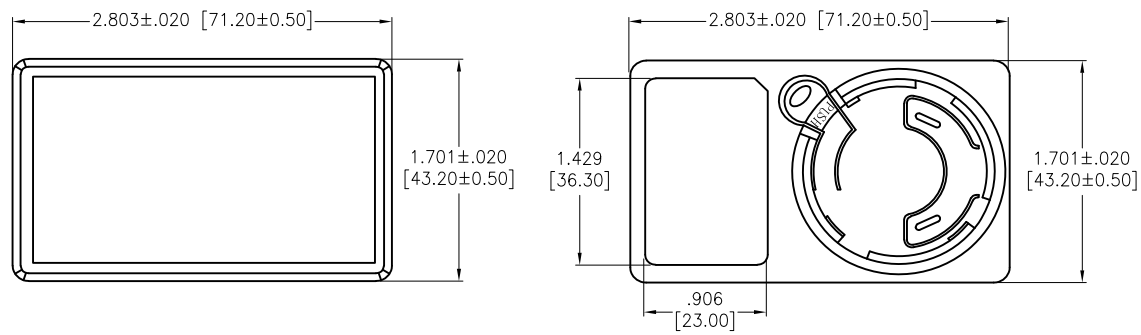
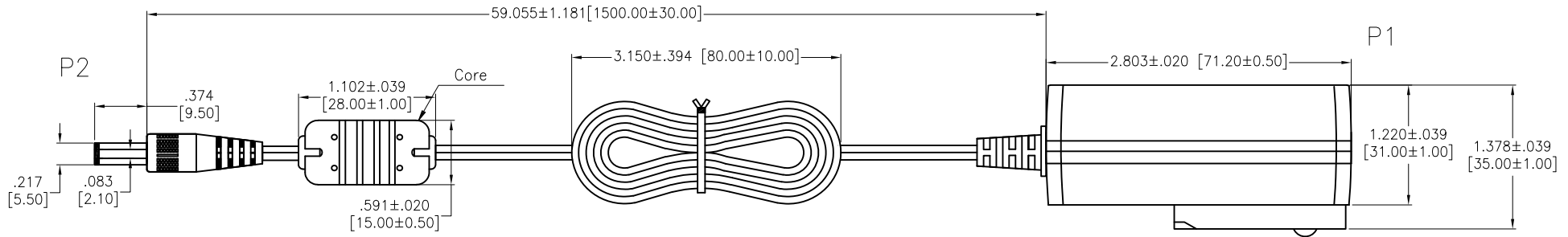


APPROVED: _____

DATE: _____ TITLE: _____

Rev	AWO #	Description	Date	Appr
-		RELEASED	3/22/21	
A		UPDATE LABEL	7/19/21	WX/AC
B		UPDATE LABEL	1/12/24	WX/SL



SPECIFICATIONS:

Connector
 P1: Power Adapter, W/Strain
 P2: DC Plug, W/Strain Relief, AC PIN: Brass Nickel plated, 5.5*2.1*9.5mm
 Overmold Color: Black PVC-45P

CABLE:
 UL2468: 24AWG*2C 80°C, Jacket Color: Black

Electrical:
 Input:
 Voltage: 100Vac to 240Vac
 Current: 1.5A Max. @ 100Vac input & max load
 Frequency: 50Hz / 60Hz
 Output:
 Voltage: 24V
 Current: 0.8A max.
 Load Regulation: ±5%
 Line Regulation: ±3%

Line Load Regulation-Output Rate: 24V, 0.8A
 Insulation Resistance: 100 Mohms min @ 500VDC
 Dielectric withstanding voltage (Hi-pot): 3,000V AC For 1 Minute
 Leakage Current: 0.25mA max. @ 240V AC/50Hz
 Temperature Rating:
 Operating Temperature: 0°C to +45°C
 Storage Temperature: -25°C to +85°C
 Environmental:
 Lead free, RoHS compliant.



SEE SHT 2 OF 2 FOR PLUG TYPE OPTIONS

UNLESS OTHERWISE SPECIFIED ALL DIMENSIONS ARE INCHES [MM]. TOLERANCES: EXCEPT AS NOTED		
INCHES		HOLES
.X ±.10	∅X ±.10	
.XX ±.020	∅XX ±.015	
.XXX ±.015	∅XXX ±.010	
DRAWN	WX	3/22/21
CHECKED	AC	3/22/21
APPROVED		
THIS DRAWING CONTAINS INFORMATION THAT IS PROPRIETARY AND SHOULD NOT BE USED WITHOUT PRIOR WRITTEN PERMISSION FROM ADAM TECH		

ADAM TECH
 909 Rahway Avenue,
 Union, NJ 07083
 Phone: 908-687-5000
 Fax: 908-687-5710

TITLE POWER ADAPTER TO DC PLUG, COLOR BLACK 24 VOLT, 0.8AMP, UL2468 24AWG		
SIZE X	PART NO. PA-008-X	REV. B
REF:	SCALE: NTS	SHEET 1 OF 2

6

5

4

3

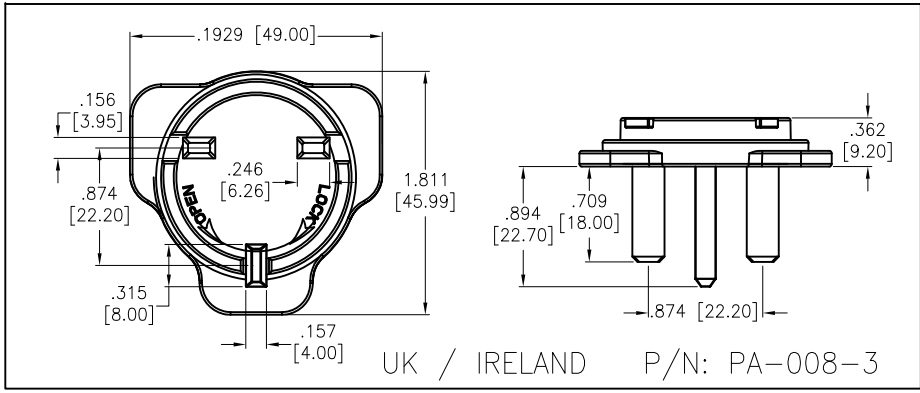
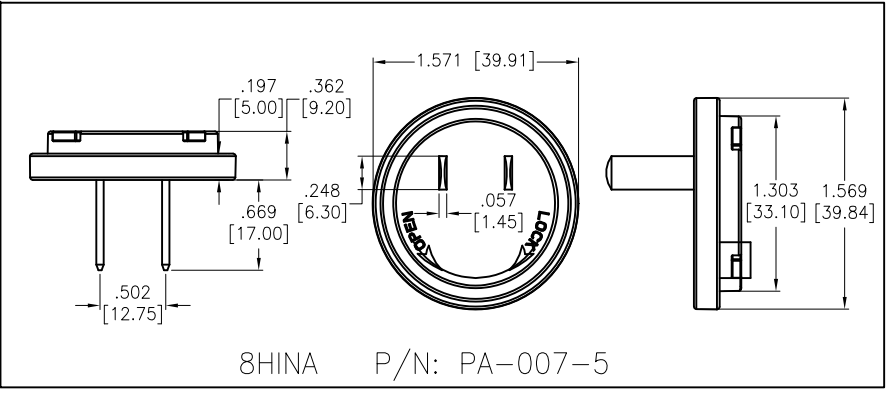
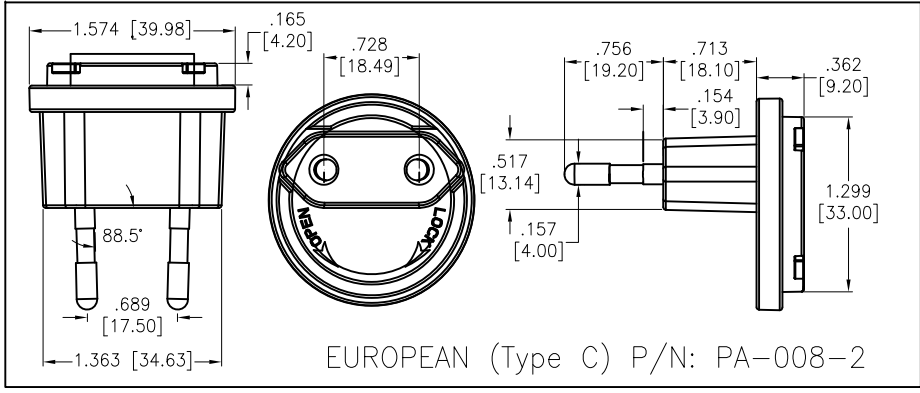
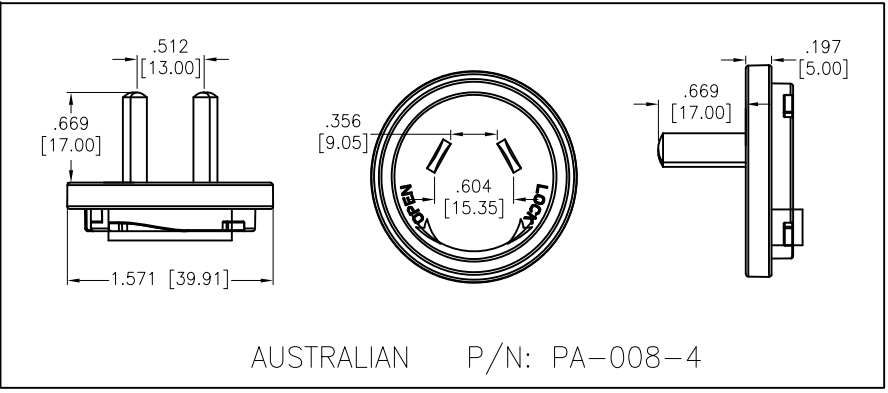
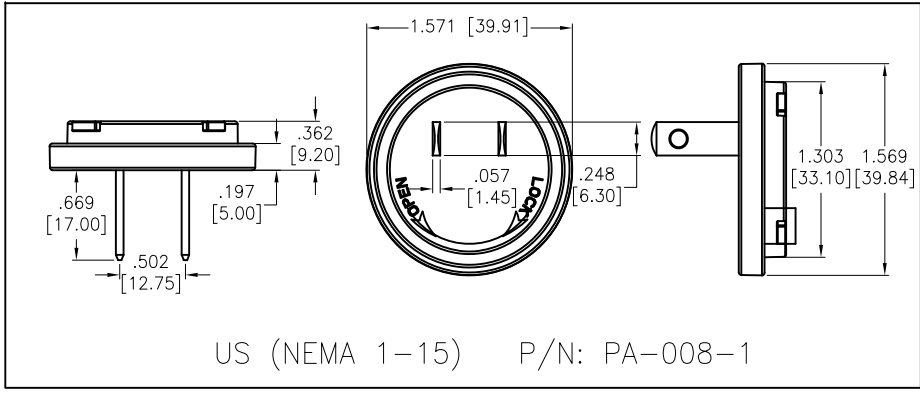
2

1

APPROVED: _____

DATE: _____ TITLE: _____

Rev	AWO #	Description	Date	Appr
SEE SHT 1 OF 2 FOR REVISION				



UNLESS OTHERWISE SPECIFIED ALL DIMENSIONS ARE INCHES [MM]. TOLERANCES: EXCEPT AS NOTED

INCHES	HOLES
.X ± .10	Ø.X ± .10
.XX ± .020	Ø.XX ± .015
.XXX ± .015	Ø.XXX ± .010

DRAWN	WX	3/22/21
CHECKED	AC	3/22/21
APPROVED		

THIS DRAWING CONTAINS INFORMATION THAT IS PROPRIETARY AND SHOULD NOT BE USED WITHOUT PRIOR WRITTEN PERMISSION FROM ADAM TECH

909 Rahway Avenue,
Union, NJ 07083
Phone: 908-687-5000
Fax: 908-687-5710

ADAM TECH

TITLE
POWER ADAPTER TO DC PLUG, COLOR BLACK
24 VOLT, 0.8AMP, UL2468 24AWG

SIZE X	PART NO. PA-008-X	REV. B
REF:	SCALE: NTS	SHEET 2 OF 2

6

5

4

3

2

1