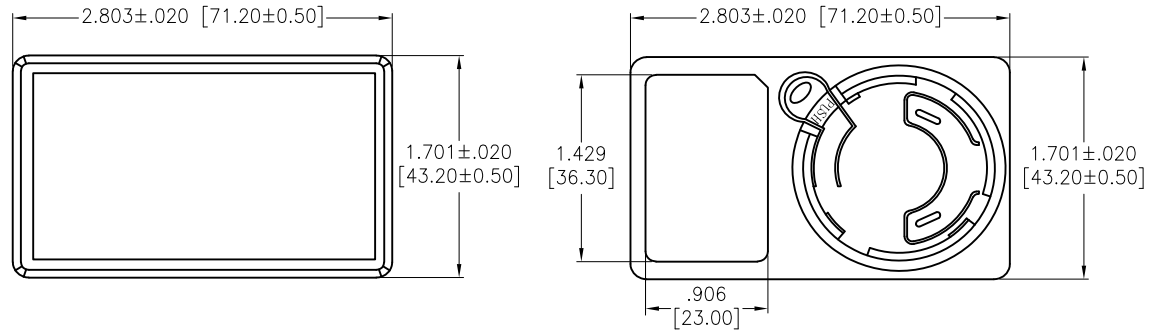
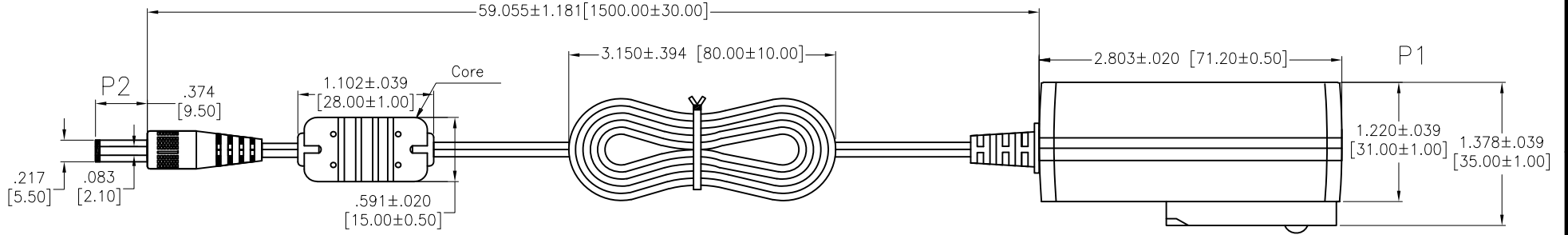


APPROVED: _____

DATE: _____ TITLE: _____

Rev	AWO #	Description	Date	Appr
-		RELEASED	3/22/21	
A		ADDED TOLERANCE	6/10/21	WX/AC
B		UPDATE LABEL	7/19/21	WX/AC
C		UPDATE LABEL	1/12/24	WX/SL



SPECIFICATIONS:

Connector

P1: Power Adapter, W/Strain

P2: DC Plug, W/Strain Relief, AC PIN: Brass Nickel plated 5.5*2.1*9.5mm
Overmold Color: Black PVC-45P

CABLE:

UL2468: 20AWG*2C 80°C, Jacket Color: Black

Electrical:

Input:

Voltage: 100Vac to 240Vac

Current: 1.5A Max. @ 100Vac input & max load

Frequency: 50Hz / 60Hz

Output:

Voltage: 9V

Current: 2.2A max.

Load Regulation: ±5%

Line Regulation: ±3%

Line Load Regulation-Output Rate: 9V, 2.2A

Insulation Resistance: 100 Mohms min @ 500VDC

Dielectric withstanding voltage (Hi-pot): 3,000V AC For 1 Minute

Leakage Current: 0.25mA max. @ 240V AC/50Hz

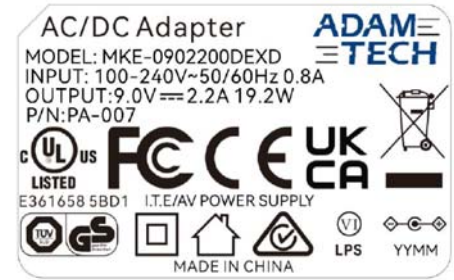
Temperature Rating:

Operating Temperature: 0°C to +45°C

Storage Temperature: -25°C to +85°C

Environmental:

Lead free, RoHS compliant.



SEE SHT 2 OF 2 FOR PLUG TYPE OPTIONS

UNLESS OTHERWISE SPECIFIED ALL DIMENSIONS ARE INCHES [MM]. TOLERANCES: EXCEPT AS NOTED			ADAM TECH 909 Rahway Avenue, Union, NJ 07083 Phone: 908-687-5000 Fax: 908-687-5710																							
<table border="1"> <tr> <td>INCHES</td> <td></td> <td>HOLES</td> </tr> <tr> <td>.X ± .10</td> <td></td> <td>∅X ± .10</td> </tr> <tr> <td>.XX ± .020</td> <td></td> <td>∅XX ± .015</td> </tr> <tr> <td>.XXX ± .015</td> <td></td> <td>∅XXX ± .010</td> </tr> </table>						INCHES		HOLES	.X ± .10		∅X ± .10	.XX ± .020		∅XX ± .015	.XXX ± .015		∅XXX ± .010	<table border="1"> <tr> <td>DRAWN</td> <td>WX</td> <td>3/22/21</td> </tr> <tr> <td>CHECKED</td> <td>AC</td> <td>3/22/21</td> </tr> <tr> <td colspan="3">APPROVED</td> </tr> </table>			DRAWN	WX	3/22/21	CHECKED	AC	3/22/21
INCHES		HOLES																								
.X ± .10		∅X ± .10																								
.XX ± .020		∅XX ± .015																								
.XXX ± .015		∅XXX ± .010																								
DRAWN	WX	3/22/21																								
CHECKED	AC	3/22/21																								
APPROVED																										
THIS DRAWING CONTAINS INFORMATION THAT IS PROPRIETARY AND SHOULD NOT BE USED WITHOUT PRIOR WRITTEN PERMISSION FROM ADAM TECH			TITLE POWER ADAPTER TO DC PLUG, COLOR BLACK 9 VOLT, 2.2AMP, UL2468 20AWG, 5.5X2.1X9.5MM																							
SIZE	PART NO.	REV.	REF: SCALE: NTS SHEET 1 OF 2																							
X	PA-007-X	C																								

6

5

4

3

2

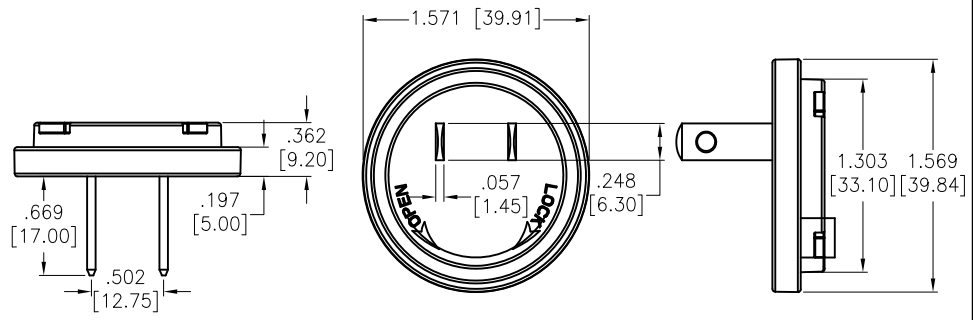
1

APPROVED: _____

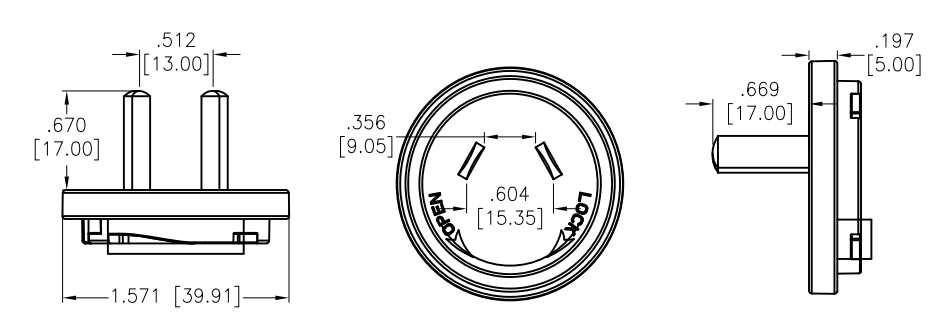
DATE: _____ TITLE: _____

Rev	AWO #	Description	Date	Appr
SEE SHT 1 OF 2 FOR REVISION				

D

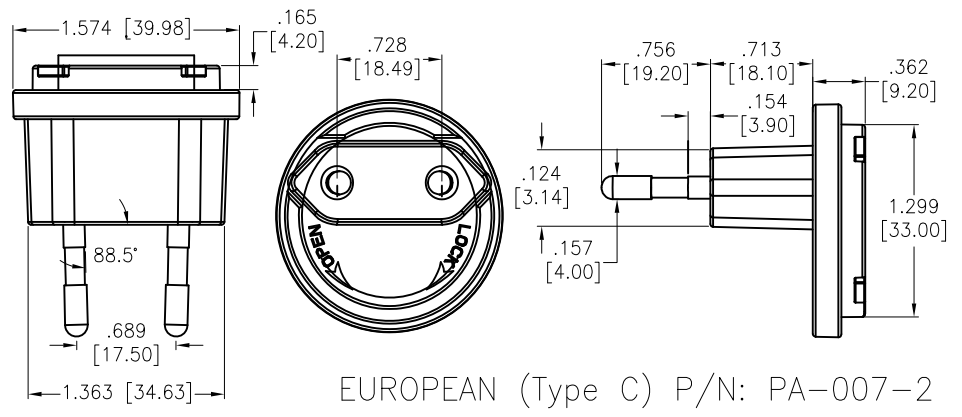


US (NEMA 1-15) P/N: PA-007-1

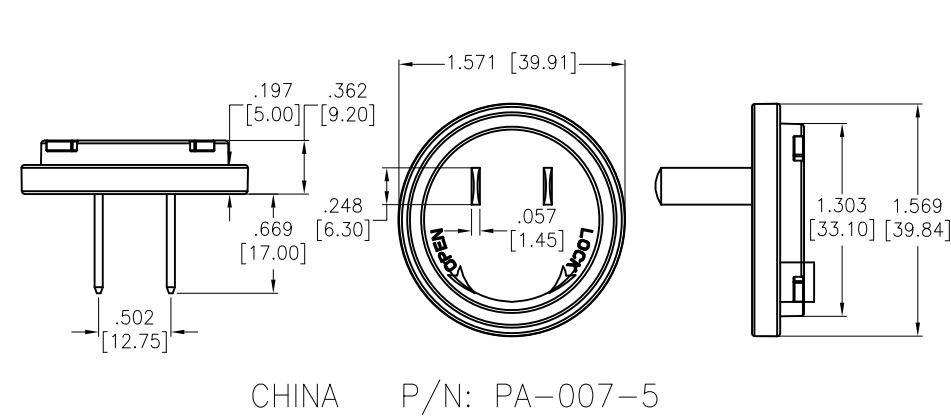


AUSTRALIAN P/N: PA-007-4

C



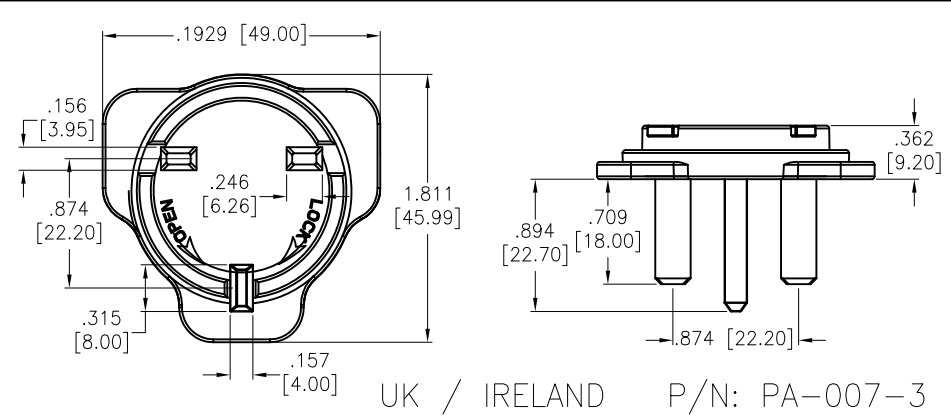
EUROPEAN (Type C) P/N: PA-007-2



CHINA P/N: PA-007-5

B

A



UK / IRELAND P/N: PA-007-3

UNLESS OTHERWISE SPECIFIED ALL DIMENSIONS ARE INCHES [MM]. TOLERANCES: EXCEPT AS NOTED

INCHES	HOLES
.X ± .10	Ø.X ± .10
.XX ± .020	Ø.XX ± .015
.XXX ± .015	Ø.XXX ± .010

DRAWN	WX	3/22/21
CHECKED	AC	3/22/21
APPROVED		

THIS DRAWING CONTAINS INFORMATION THAT IS PROPRIETARY AND SHOULD NOT BE USED WITHOUT PRIOR WRITTEN PERMISSION FROM ADAM TECH

ADAM TECH 909 Rahway Avenue, Union, NJ 07083
Phone: 908-687-5000 Fax: 908-687-5710

TITLE: POWER ADAPTER TO DC PLUG, COLOR BLACK
9 VOLT, 2.2AMP, UL2468 20AWG, 5.5X2.1X9.5MM

SIZE	PART NO.	REV.
X	PA-007-X	C

REF: _____ SCALE: NTS SHEET 2 OF 2

6

5

4

3

2

1