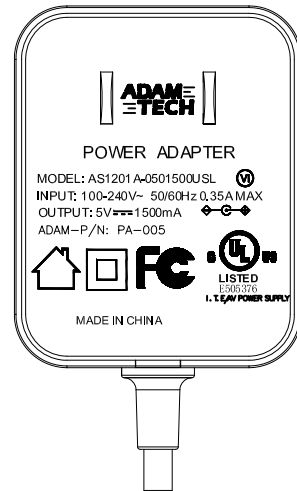
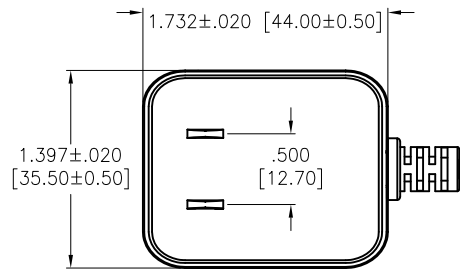
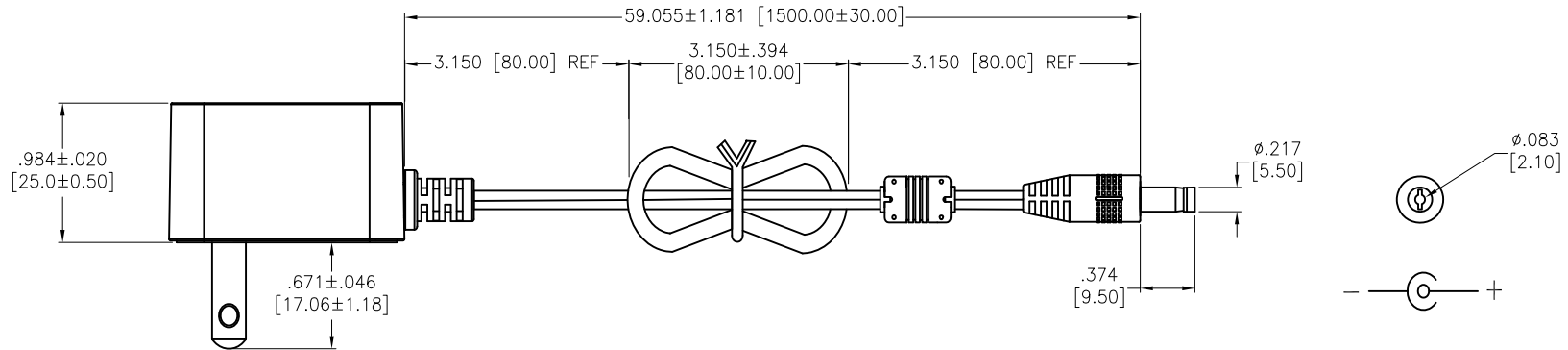


APPROVED: \_\_\_\_\_  
 DATE: \_\_\_\_\_ TITLE: \_\_\_\_\_

Rev	AWO #	Description	Date	Appr
-		RELEASED	3/19/21	
A		ADDED TOLERANCE	6/10/21	WX/AC
B		UPDATE SPEC.	11/30/22	LH/SL1



**SPECIFICATIONS:**

Connector  
**P1: Power Adapter, NEMA 1-15P**  
**P2: DC Plug, W/Strain Relief, 5.5\*2.1\*9.5mm**  
 Overmold Color: Black PVC-65P

CABLE:  
 UL2468: 20AWG (26\*0.16)\*2C 80°C 300V VW-1, Jacket Color: Black

Electrical:  
**Input:**  
 Voltage: 100Vac to 240Vac  
 Current: 0.35A Max. @ 100Vac input & max load  
 Frequency: 60Hz / 50Hz

**Output:**  
 Voltage: 5.0V  
 Current: 1.5A max.  
 Load Regulation: ±5%  
 Line Regulation: ±3%

Insulation Resistance: 10 Mohms min @ 500VDC  
 Dielectric withstanding voltage (Hi-pot): 3,000V AC For 1 Minute  
 Leakage Current: 0.25mA max. @ 230V AC/50Hz  
 Temperature Rating:  
 Operating Temperature: 0°C to +40°C  
 Storage Temperature: -40°C to +70°C

Environmental:  
 Lead free, RoHS compliant.



UNLESS OTHERWISE SPECIFIED ALL DIMENSIONS ARE INCHES [MM]. TOLERANCES: EXCEPT AS NOTED

INCHES		HOLES	
.X	±.10	Ø.X	±.10
.XX	±.020	Ø.XX	±.015
.XXX	±.015	Ø.XXX	±.010

**ADAM TECH** 909 Rahway Avenue,  
 Union, NJ 07083  
 Phone: 908-687-5000  
 Fax: 908-687-5710

DRAWN	WX	3/19/21
CHECKED	AC	3/19/21
APPROVED		

TITLE  
**POWER ADAPTER, NEMA 1-15 TO 2.1 X 5.5 X 9.5 DC PLUG, 5 VOLT, 1.5 AMP, UL2468 20AWG**

THIS DRAWING CONTAINS INFORMATION THAT IS PROPRIETARY AND SHOULD NOT BE USED WITHOUT PRIOR WRITTEN PERMISSION FROM ADAM TECH

SIZE X	PART NO. PA-005	REV. B
REF: -	SCALE: NTS	SHEET 1 OF 1