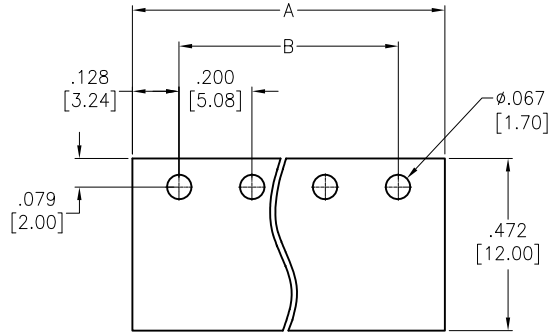
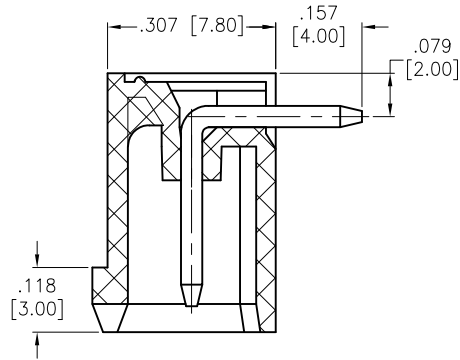


APPROVED: \_\_\_\_\_  
 DATE: \_\_\_\_\_ TITLE: \_\_\_\_\_

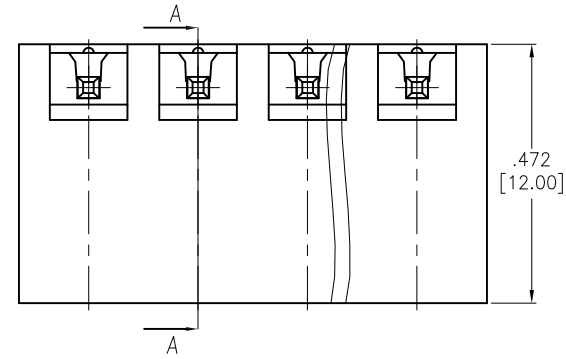
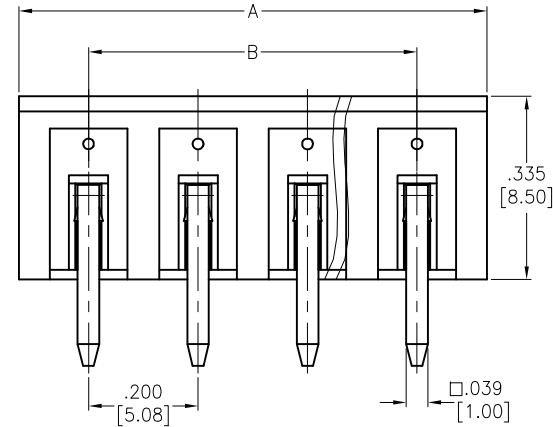
Rev	AWO #	Description	Date	Appr
-		RELEASED	8/28/14	
A		UPDATE SPEC.	8/7/20	AY/EY



RECOMMENDED PCB LAYOUT



SECTION A-A



**SPECIFICATIONS:**

Material:  
 Insulator: PA66, rated UL 94V-0  
 Insulator color: Green  
 Contacts: Copper Alloy, Tin plated  
 Electrical:  
 Voltage rated: 300 V  
 Current rated: 15 A  
 Withstanding voltage: 1600V AC/1 Min  
**Temperature Rating:**  
 Operating temperature: -40°C to +105°C  
 Environmental:  
 Lead free, RoHS compliant.



Positions: 02 thru 24  
 A = .200 [5.08] x No. of Positions+ .055 [1.40]  
 B = .200 [5.08] x No. of Spaces

UNLESS OTHERWISE SPECIFIED  
 ALL DIMENSIONS ARE MM [INCHES]  
 TOLERANCES: EXCEPT AS NOTED

INCHES		HOLES	
.X	± .10	Ø.X	± .10
.XX	± .020	Ø.XX	± .015
.XXX	± .015	Ø.XXX	± .010

**ADAM TECH**  
 INTERCONNECTS  
 909 Rahway Avenue,  
 Union, NJ 07083  
 Phone: 908-687-5000  
 Fax: 908-687-5710

APPROVALS		DATE
DRAWN	AY	8/28/14
CHECKED	YC	8/28/14
APPROVED		

TITLE: **.200 [5.08] PITCH, EURO BLOCK HEADER  
 RIGHT ANGLE, CLOSE SIDE**

SIZE	PART NO.	REV.
X	EBQA-XX-D-C	A

REF: S00067C SCALE: NTS SHEET 1 OF 1