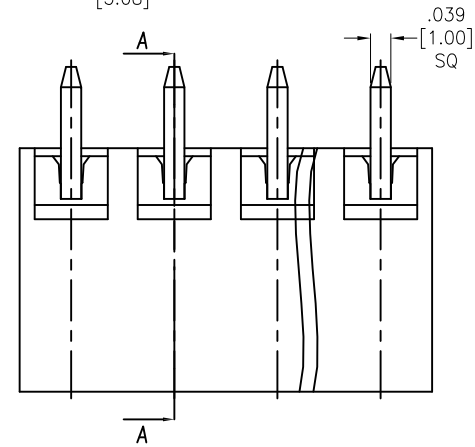
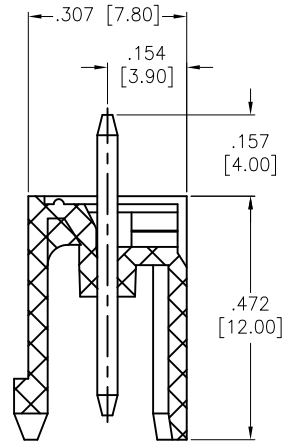
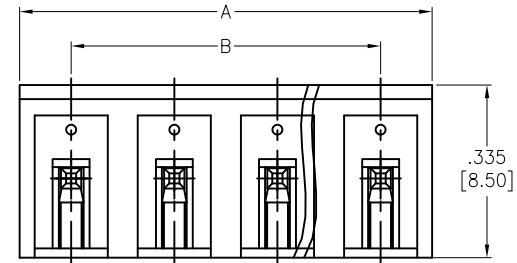
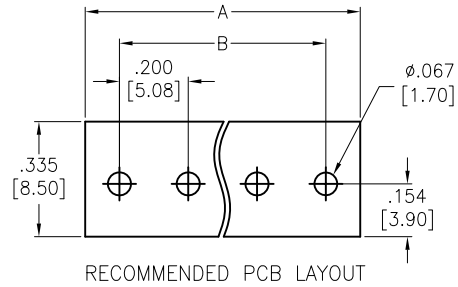


APPROVED: _____
 DATE: _____ TITLE: _____

| Rev | AWO # | Description | Date | Appr |
|-----|-------|----------------|----------|-------|
| - | | RELEASED | 10/16/13 | |
| A | | UPDATE DRAWING | 10/26/18 | AY/KC |
| B | | UPDATE SPEC. | 9/9/20 | OW/EY |



Positions: 02 thru 24
 A = .200 [5.08] x No. of Positions
 B = .200 [5.08] x No. of Spaces

SPECIFICATIONS:

Material:
 Insulator: PA66, rated UL 94V-0
 Insulator color: Green
 Contact: Copper Alloy, Tin plated.
 Electrical:
 Voltage rated: 300 V
 Current rated: 15 A
 Dielectric withstanding voltage: 1600V for 1 minute
 Temperature Rating:
 Operating temperature: -40°C to +105°C
 Environmental:
 Lead free, RoHS compliant.



| | | | |
|---|--------|----------|--------|
| UNLESS OTHERWISE SPECIFIED ALL DIMENSIONS ARE MM [INCHES] TOLERANCES: EXCEPT AS NOTED | | | |
| INCHES | | HOLES | |
| .X | ± .10 | Ø.X | ± .10 |
| .XX | ± .020 | Ø.XX | ± .015 |
| .XXX | ± .015 | Ø.XXX | ± .010 |
| APPROVALS | | DATE | |
| DRAWN | AY | 10/16/13 | |
| CHECKED | NP | 10/16/13 | |
| APPROVED | | | |

ADAM TECH
INTERCONNECTS
 909 Rahway Avenue,
 Union, NJ 07083
 Phone: 908-687-5000
 Fax: 908-687-5710

TITLE
**TERMINAL BLOCK, SOCKETS .200 [5.08] PITCH
 VERTICAL**

| | | |
|------------------|------------------------------|------------------|
| SIZE X | PART NO. EBPA-XX-D | REV. B |
| REF: S00067C | SCALE: NTS | SHEET 1 OF 1 |