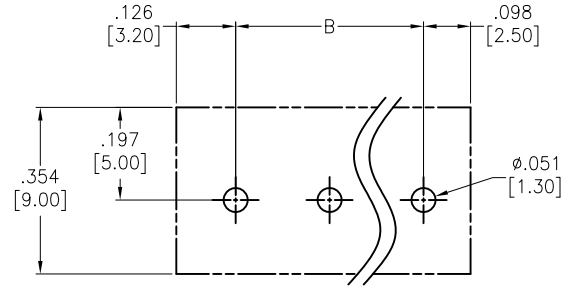
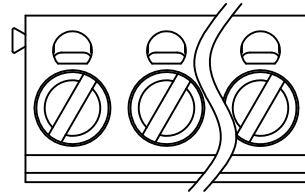
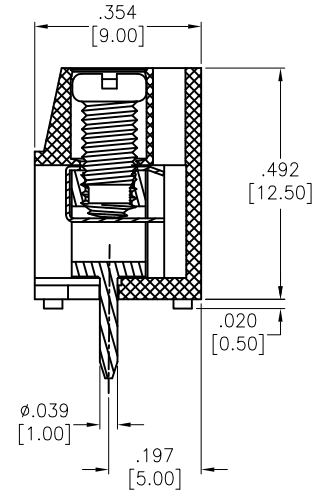
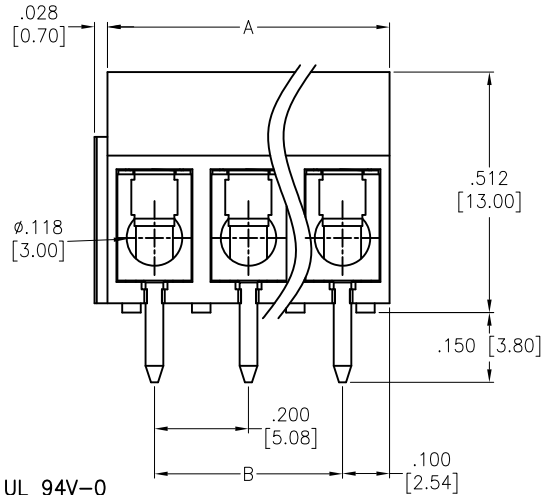


APPROVED: _____
 DATE: _____ TITLE: _____

Rev	AWO #	Description	Date	Appr
-		RELEASED	6/08/11	
A		UPDATE DRAWING	11/20/20	OW/RC



RECOMMENDED PCB LAYOUT



Pole	A	B
02-06P	±.008 [0.20]	±.006 [0.15]
07-12P	±.010 [0.25]	±.008 [0.20]
13-18P	±.012 [0.30]	±.010 [0.25]
19-24P	±.016 [0.40]	±.012 [0.30]

SPECIFICATIONS:

Material:
 Insulator: Thermoplastic, rated UL 94V-0
 Insulator color: Blue
 Terminal: Brass, Tin plated
 Wire guard: Stainless steel
 Screw: Steel, M3, Zinc plated.

Electrical:
 Voltage rating: 300VAC
 Current rating: 15A
 Withstanding voltage: 1.6KV

Mechanical:
 Torque: 3.5 Lb-In
 Solid wire(AWG): 14-22
 Stranded wire(AWG): 14-22
 Wire strip length: 6-7mm
 Temperature Rating:
 Operating temperature: -40°C to +115°C
 Environmental:
 Lead free, RoHS compliant.



Positions: 02 thru 24
 A = .200 [5.08] x No. of Positions
 B = .200 [5.08] x No. of Space

UNLESS OTHERWISE SPECIFIED
 ALL DIMENSIONS ARE INCHES [MM]
 TOLERANCES: EXCEPT AS NOTED
 INCHES HOLES

.X ±.10	Ø.X ±.10
.XX ±.020	Ø.XX ±.015
.XXX ±.015	Ø.XXX ±.010



909 Rahway Avenue,
 Union, NJ 07083
 Phone: 908-687-5000
 Fax: 908-687-5710

APPROVALS		DATE
DRAWN	DY	6/08/11
CHECKED		
APPROVED		

TITLE EURO BLOCK, VERTICAL, PCB TYPE .200 [5.08] PITCH, COLOR BLUE		
SIZE X	PART NO. EBA-XX-D-BU-01	REV. A
REF: S00007T	SCALE: NTS	SHEET 1 OF 1