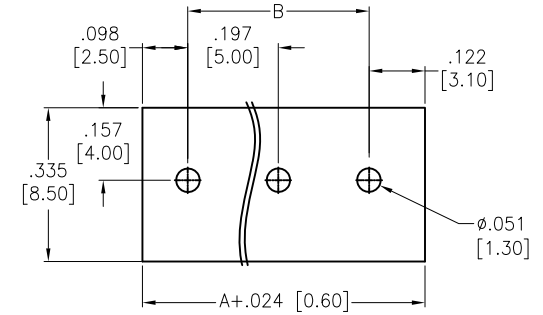
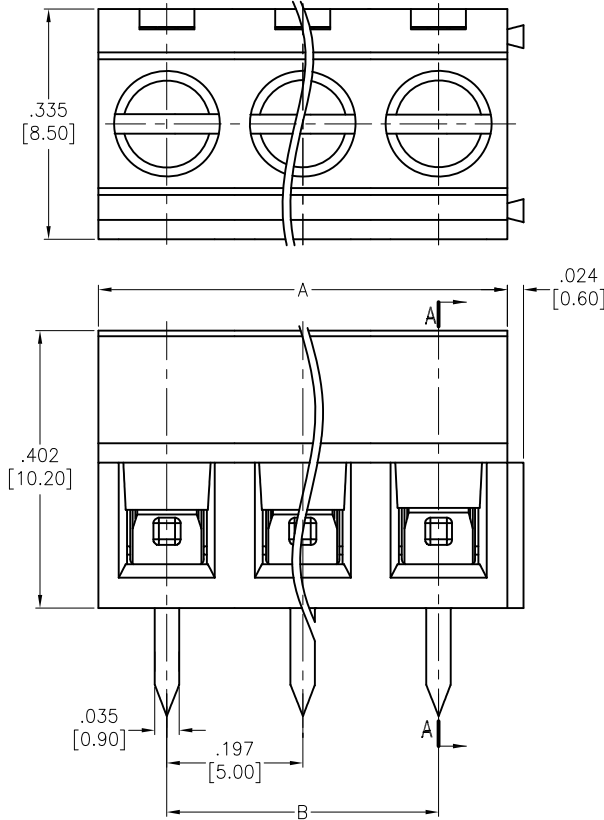
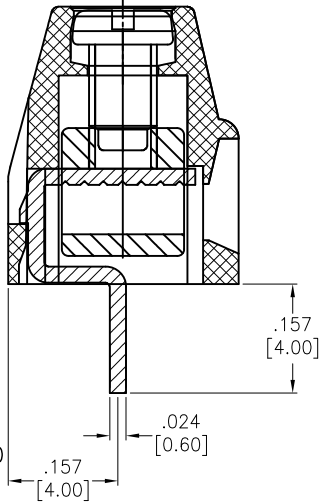


APPROVED: _____
 DATE: _____ TITLE: _____

Rev	AWO #	Description	Date	Appr
-		RELEASED	1/17/14	
A		REVISED SHAPE	6/26/14	AY/SY
B		UPDATE SPEC.	7/30/18	AY/RC1



RECOMMENDED PCB LAYOUT

SPECIFICATIONS:

Material:
 Insulator: PA66, rated UL 94V-0
 Insulator color: Green
 Screw: M2.5, Steel, Zinc plated.
 Contact: Brass, Tin plated.
 Cage: Brass, Nickel plated.
Electrical:
 Voltage rating: 300V
 Current rating: 8A
 Contact Resistance: 20 mohms max.
 Insulation resistance: 500 Mohms min @DC 500V
 Dielectric withstanding voltage: 2000 VAC for 1 minut

Mechanical:
 Torque: 0.4Nm(3.6lb-in)
 Wire Range: 22-16 AWG 1.0mm²
 Wire strip length: 5~6mm
Environmental:
 -40°C to +105°C
Environmental:
 Lead free, RoHS compliant.



Poles: 2 thru 24
 A = .197 [5.00] X No. of Positions
 B = .197 [5.00] x No. of Spaces

UNLESS OTHERWISE SPECIFIED
 ALL DIMENSIONS ARE MM [INCHES]
 TOLERANCES: EXCEPT AS NOTED

INCHES		HOLES	
.X	± .10	∅X	± .10
.XX	± .020	∅.XX	± .015
.XXX	± .015	∅.XXX	± .010

APPROVALS		DATE
DRAWN	AY	1/17/14
CHECKED	SY	1/17/14
APPROVED		

ADAM TECH INTERCONNECTS
 909 Rahway Avenue,
 Union, NJ 07083
 Phone: 908-687-5000
 Fax: 908-687-5710

TITLE			
EURO BLOCK, .197 [5.00] PITCH			
SIZE	PART NO.	REV.	
X	EB21A-XX-C	B	
REF:	S00067C	SCALE: NTS	SHEET 1 OF 1