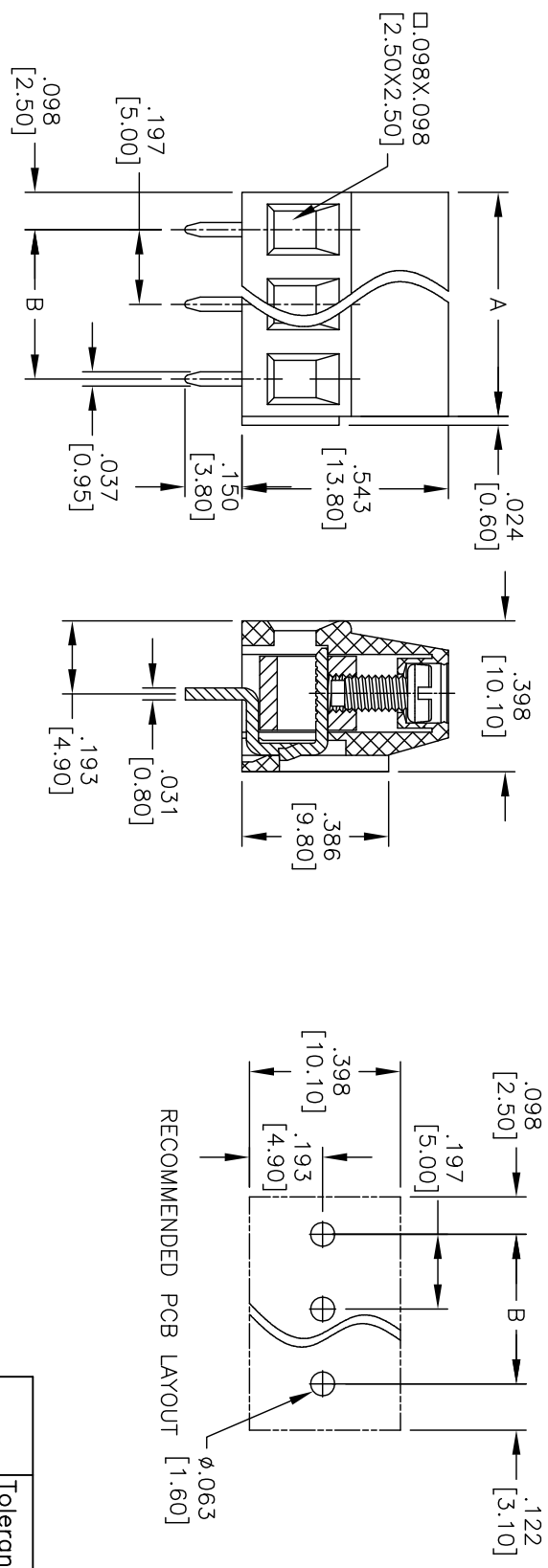
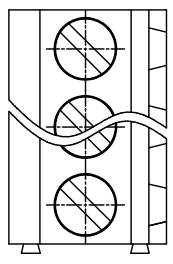


APPROVED: _____
 DATE: _____ TITLE: _____

Rev	AWO #	Description	Date	Appr
-		RELEASED	9/14/11	
A		ADDED SPEC.	6/27/13	



SPECIFICATIONS:
 Material: Thermoplastic, rated UL 94V-0
 Insulator color: Green
 Screw: M2.5, Steel, Zn plated.
 Contact: Brass, Tin plated.
 Electrical:
 Operation voltage: 300 VAC
 Current rating: 10 Amps
 Mechanical:
 Solid wire (AWG): 12-24
 Stranded wire (AWG): 12-24
 Withstanding Voltage: 1.6KV
 Wire strip length: 6-7mm
 Temperature Rating:
 Operating temperature: -40°C to +115°C
 Environmental:
 Lead free, RoHS compliant.

Poles: 2 thru 24
 A = .197 [5.00] X No. of Positions
 B = .197 [5.00] x No. of Spaces

	Tolerance
2-6P	±.006 [0.15]
7-12P	±.008 [0.20]
13-18P	±.012 [0.30]
19-24P	±.016 [0.40]

ADAM TECH

909 Rahway Avenue, Union, NJ 07083
 Phone: 908-687-5000 Fax: 908-687-5710

TITLE: EURO BLOCK, .197" [5.00] PITCH

A
 Material: Thermoplastic, rated UL 94V-0
 Insulator color: Green
 Screw: M2.5, Steel, Zn plated.
 Contact: Brass, Tin plated.
 Electrical:
 Operation voltage: 300 VAC
 Current rating: 10 Amps
 Mechanical:
 Solid wire (AWG): 12-24
 Stranded wire (AWG): 12-24
 Withstanding Voltage: 1.6KV
 Wire strip length: 6-7mm
 Temperature Rating:
 Operating temperature: -40°C to +115°C
 Environmental:
 Lead free, RoHS compliant.



UNLESS OTHERWISE SPECIFIED		ALL DIMENSIONS ARE MM [INCHES]	
TOLERANCES: EXCEPT AS NOTED		Holes	
X	± .10	ØXX	± .10
.XX	± .020	ØXX	± .015
.XXX	± .015	ØXXX	± .010
APPROVALS		DATE	
DRAWN	AY	9/14/11	
CHECKED			
APPROVED			
SIZE	PART NO.	SCALE	SHEET 1 OF 1
X	EB20-XX-C	NTS	
REF:	S0007T		