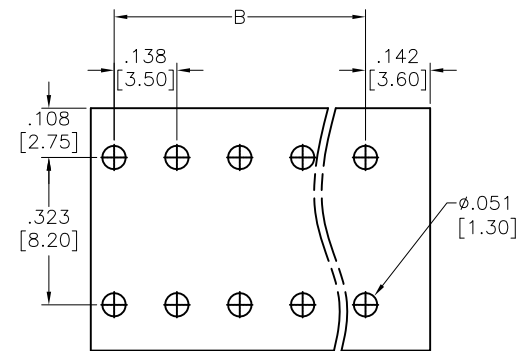
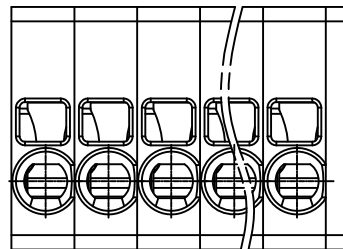
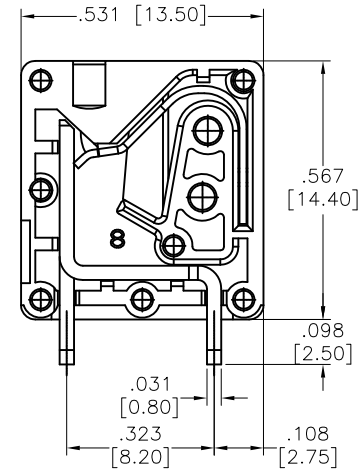
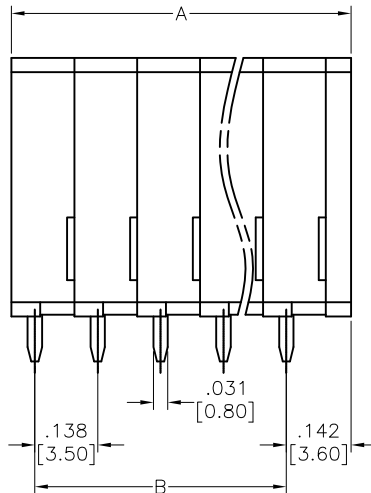
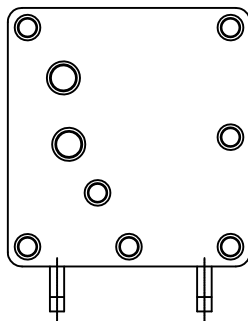


APPROVED: _____
 DATE: _____ TITLE: _____

Rev	AWO #	Description	Date	Appr
-		RELEASED	11/26/18	



RECOMMENDED PCB LAYOUT



WITHOUT COVER

SPECIFICATIONS:

Material:
 Insulator: PA, rated UL 94V-0
 Insulator color: Green
 Contact: Copper Alloy
 Electrical:
 Voltage rating: 300V
 Current rating: 10A
 Dielectric withstanding voltage: 1,600 VAC for 1 minute
 Mechanical:
 Strip length: 8~9mm
 Wire Range: 24~16 AWG
 Temperature Rating:
 Operating temperature: -40°C to +105°C
 Environmental:
 Lead free, RoHS compliant.



Positions: 01 thru XX
 A = .138 [3.50] x No. of Positions + .055 [1.40]
 B = .138 [3.50] x No. of Spaces

UNLESS OTHERWISE SPECIFIED
 ALL DIMENSIONS ARE MM [INCHES]
 TOLERANCES: EXCEPT AS NOTED

INCHES		HOLES	
.X	± .10	Ø.X	± .10
.XX	± .020	Ø.XX	± .015
.XXX	± .015	Ø.XXX	± .010

ADAM TECH
 INTERCONNECTS
 909 Rahway Avenue,
 Union, NJ 07083
 Phone: 908-687-5000
 Fax: 908-687-5710

APPROVALS		DATE
DRAWN	AY	11/26/18
CHECKED	AC	11/26/18
APPROVED		

TITLE EURO BLOCK, .138 [3.50] PITCH, VERTICAL			
SIZE X	PART NO. EB163A-XX-A-180	REV. -	
REF: S00067C	SCALE: NTS	SHEET 1 OF 1	

6

5

4

3

2

1

6

5

4

3

2

1