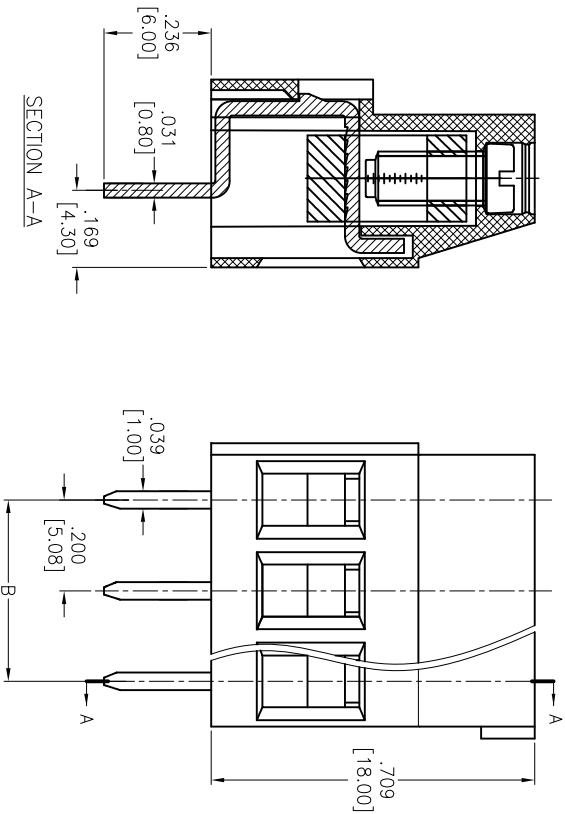
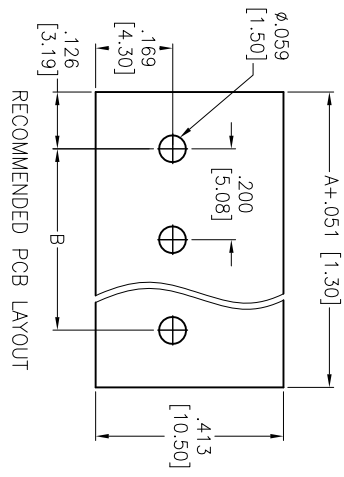
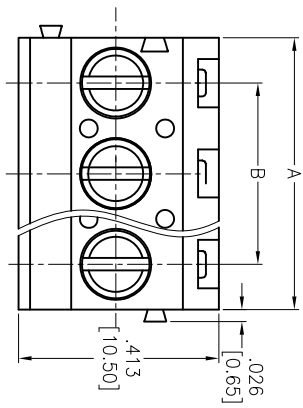


Rev	AWO #	Description	Date	Appr
-		RELEASED	9/10/13	

APPROVED: \_\_\_\_\_ TITLE: \_\_\_\_\_  
 DATE: \_\_\_\_\_



**SPECIFICATIONS:**

- Material: Insulator: PA66, rated UL 94V-0
- Insulator color: Green
- Screw: Steel, M3.0/Zinc plated
- Cage: Brass, Nickel plated
- Pin Header: Brass, Tin plated
- Electrical:
  - Voltage rated: 300 VAC
  - Current rated: 16 Amps
  - Contact resistance: 20 mΩ
  - Insulation resistance: 500 MΩ @ 500 VDC
  - Withstanding voltage: 2000V AC/1 Min
- Mechanical:
  - Solid wire: 26-12AWG 2.5mm<sup>2</sup>
  - Torque (Lb-in): 0.5Nm (4.5lb-in)
  - Strip length: 6-7mm
  - Temperature Rating: Operating temperature: -40°C to +105°C
- Environmental: Lead free, RoHS compliant.

Positions: 02 thru 24  
 A = .200 [5.08] x No. of Positions  
 B = .200 [5.08] x No. of Spaces

UNLESS OTHERWISE SPECIFIED  
 ALL DIMENSIONS ARE INCHES [MM]  
 TOLERANCES EXCEPT AS NOTED  
 INCHES: .X ± .10 ØX ± .015  
 .XX ± .020 ØXX ± .015  
 .XXX ± .015 ØXXX ± .010

**ADAM TECH**  
 909 Railway Avenue, Union, NJ 07083  
 Phone: 908-687-5000 Fax: 908-687-5710

**EURO BLOCK, .200 [5.08] PITCH**

APPROVALS	DATE	SIZE	PART NO.	REV.
DRAWN AY	7/9/14	X	EB147A-XX-D	-
CHECKED SY	7/9/14	X		
APPROVED				

