

6

5

4

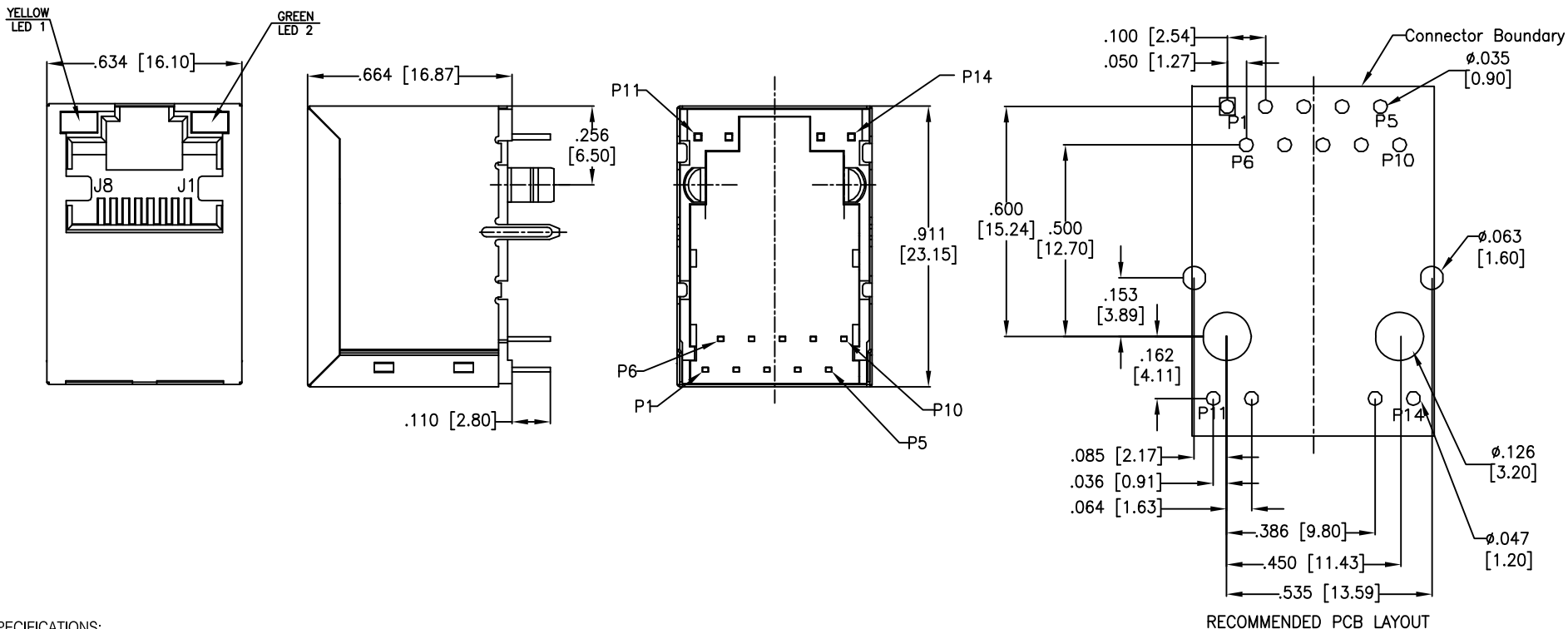
3

2

1

APPROVED: \_\_\_\_\_  
 DATE: \_\_\_\_\_ TITLE: \_\_\_\_\_

Rev	AWO #	Description	Date	Appr
-		RELEASED	8/15/11	
A		UPDATE DIM.	6/3/19	AY/RC



**SPECIFICATIONS:**

Material:  
 Insulator: PBT, rated UL 94V-0  
 Insulator color: Black  
 Contacts: Phosphor Bronze  
 Shield: Brass, Nickel plated  
 Plating:  
 Round contact  
 Gold over Nickel underplate overall  
 Flat contact  
 Gold over Nickel underplate on contact area,  
 Tin over Nickel underplate on solder tails  
 Electrical:  
 Voltage rating: 150 VAC  
 Contact Resistance: 20 mohms max  
 Insulation resistance: 500 Mohms min  
 Dielectric withstanding voltage: 2250 VDC  
 Temperature Rating:  
 Operating temperature: 0°C to +70°C  
 Environmental:  
 Lead free, RoHS compliant.



UNLESS OTHERWISE SPECIFIED  
 ALL DIMENSIONS ARE INCHES [MM]  
 TOLERANCES: EXCEPT AS NOTED  
 INCHES HOLES  
 .X ± .10 Ø.X ± .10  
 .XX ± .020 Ø.XX ± .015  
 .XXX ± .015 Ø.XXX ± .010

**ADAM TECH**  
 INTERCONNECTS  
 909 Rahway Avenue,  
 Union, NJ 07083  
 Phone: 908-687-5000  
 Fax: 908-687-5710

TITLE  
**MODULAR JACK GANGED, 1 PORT, 8P8C  
 W/LED1 YELLOW, LED2 GREEN**

APPROVALS		DATE
DRAWN	AY	8/15/11
CHECKED	NP	8/15/11
APPROVED		

SIZE	PART NO.	REV.
X	MTJ-88TVX1-FSJ-LG-M149	A
REF: S00005C	SCALE: NTS	SHEET 1 OF 2

6

5

4

3

2

1

6

5

4

3

2

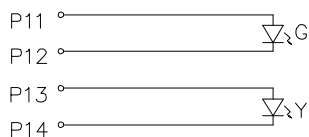
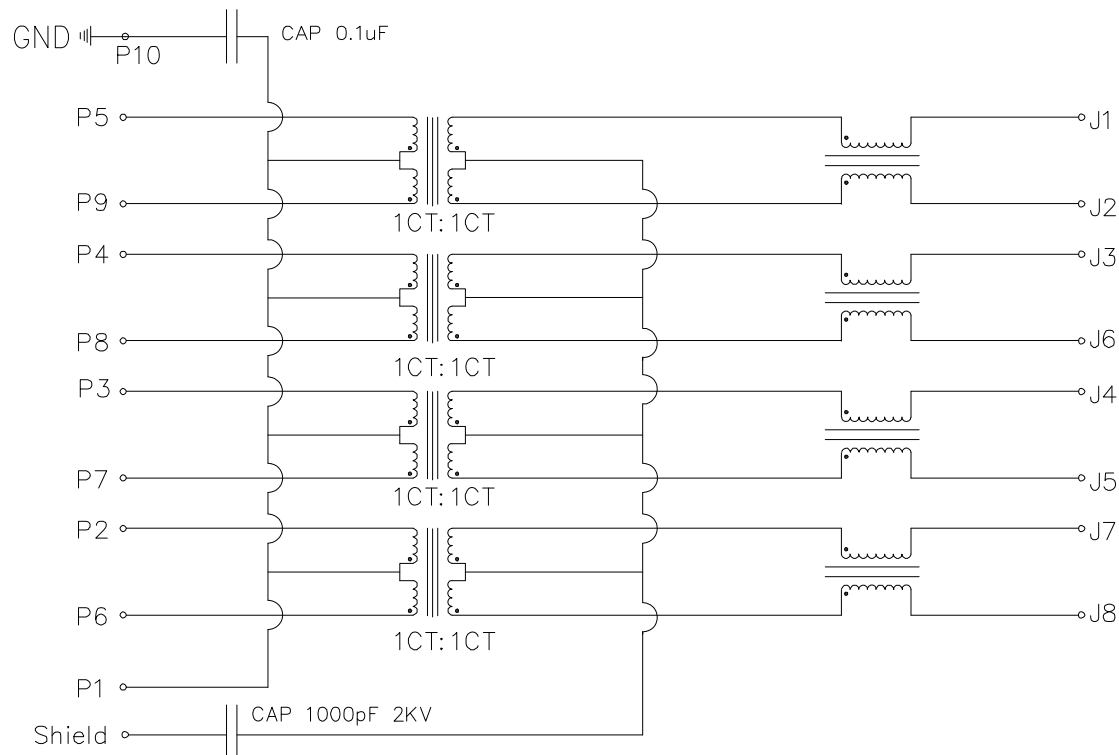
1

APPROVED: \_\_\_\_\_

DATE: \_\_\_\_\_ TITLE: \_\_\_\_\_

Rev	AWO #	Description	Date	Appr
-----	-------	-------------	------	------

SEE SHT 1 OF 2 FOR REVISION



Pin	Green		Yellow
P11	+	P13	+
P12	-	P14	-

ELECTRICAL CHARACTERISTICS

- Turn Ratio @100KHz: (P5~P9):(J1~J2)=1:1±5%  
(P4~P8):(J3~J6)=1:1±5%  
(P3~P7):(J4~J5)=1:1±5%  
(P2~P6):(J7~J8)=1:1±5%
- Primary Inductance: 350uH Min. @100kHz, 0.1Vrms, 8mA DC BIAS
- DC Resistance: 1.2 Ohms Max.
- Insertion Loss: 1~100MHz : -1.0dB Min.  
100~125MHz : -1.2dB Min.
- Return Loss: 1~40MHz: -16dB Max  
40~60MHz: -12dB Max  
60~80MHz: -10dB Max  
80~100MHz: -8dB Max
- Cross Talk: 1~100MHz: -30dB Max.
- Common to Common mode Attenuation: 1~100MHz: -30dB Min.
- Isolation: PHY Side to Line Side : 2250VDC

UNLESS OTHERWISE SPECIFIED  
ALL DIMENSIONS ARE INCHES [MM]  
TOLERANCES: EXCEPT AS NOTED  
INCHES HOLES

.X ± .10	∅X ± .10
.XX ± .020	∅XX ± .015
.XXX ± .015	∅XXX ± .010

**ADAM TECH**  
INTERCONNECTS

909 Rahway Avenue,  
Union, NJ 07083  
Phone: 908-687-5000  
Fax: 908-687-5710

TITLE  
MODULAR JACK GANGED, 1 PORT, 8P8C  
W/LED1 YELLOW, LED2 GREEN

APPROVALS		DATE
DRAWN	AY	8/15/11
CHECKED	NP	8/15/11
APPROVED		

SIZE	PART NO.	REV.
X	MTJ-88TVX1-FSJ-LG-M149	A
REF: S00005C	SCALE: NTS	SHEET 2 OF 2

6

5

4

3

2

1