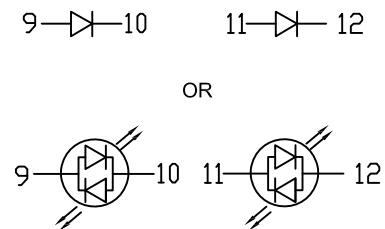
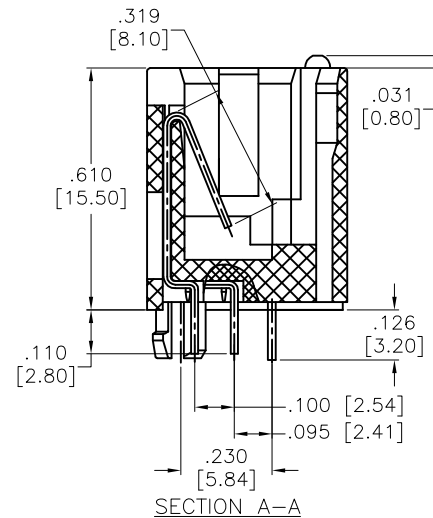
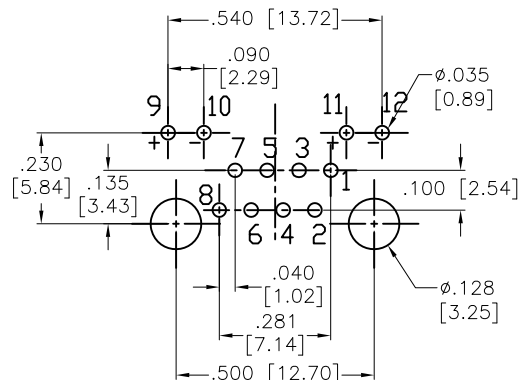
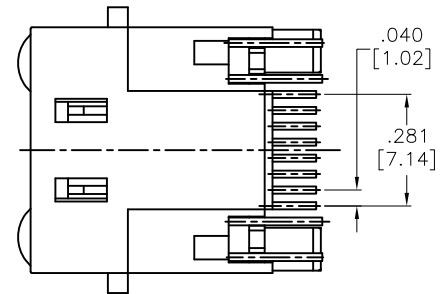
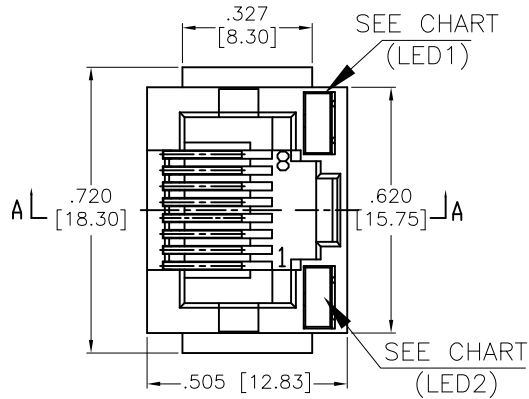
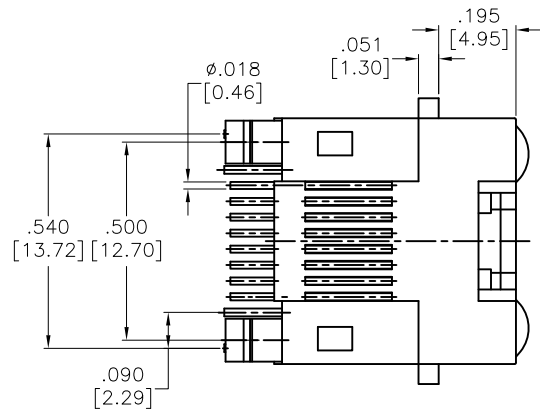


APPROVED: _____
 DATE: _____ TITLE: _____

Rev	AWO #	Description	Date	Appr
-		RELEASED	5/14/19	
A		UPDATE SPEC.	6/19/19	AY/NL
B		UPDATE DRAWING	9/14/20	AY/KL



Part Number	LED 1 Color	LED 2 Color
MTJ-88DX1-LD	Green	Green
MTJ-88DX1-LG	Yellow	Green
MTJ-88DX1-LH	Green	Yellow
MTJ-88DX1-LP	Yellow/Green	Yellow/Green
MTJ-88DX1-LV	Green	Yellow/Green
MTJ-88DX1-L16	Green/Yellow	Green/Yellow

RECOMMENDED P.C.B LAYOUT

SPECIFICATIONS:

Material:
 Insulator: PBT/PA66, rated UL 94V-0
 Insulator color: Black
 Contacts: Phosphor Bronze
 Plating:
 Round contact
 Gold over Nickel underplate overall
 Flat contact
 Gold over Nickel underplate on contact area,
 Tin over Nickel underplate on solder tails
 Electrical:
 Voltage rating: 150 VAC RMS
 Current rating: 1.5 Amp
 Contact resistance: 20 mohms max
 Insulation resistance: 1000 Mohms min @ 500 VDC
 Dielectric withstanding voltage: 1000 DC or AC Peak
 Temperature Rating:
 Operating temperature: -40°C to +85°C
 Environmental:
 Lead free, RoHS compliant.



UNLESS OTHERWISE SPECIFIED
 ALL DIMENSIONS ARE INCHES [MM]
 TOLERANCES: EXCEPT AS NOTED
 INCHES HOLES
 .X ± .10 Ø.X ± .10
 .XX ± .020 Ø.XX ± .015
 .XXX ± .015 Ø.XXX ± .010

APPROVALS		DATE
DRAWN	OW	5/14/19
CHECKED	AY1	5/14/19
APPROVED		

ADAM TECH INTERCONNECTS
 909 Rahway Avenue,
 Union, NJ 07083
 Phone: 908-687-5000
 Fax: 908-687-5710

TITLE			
MODULAR TELEPHONE JACK, 8P8C, PCB TYPE W/ LED'S			
SIZE	PART NO.	REV.	
X	MTJ-88DX1-LX	B	
REF:	S00005C	SCALE: NTS	SHEET 1 OF 1