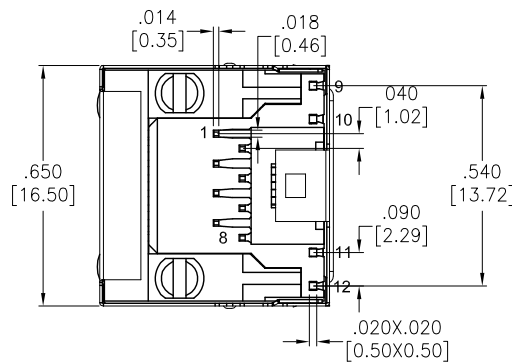
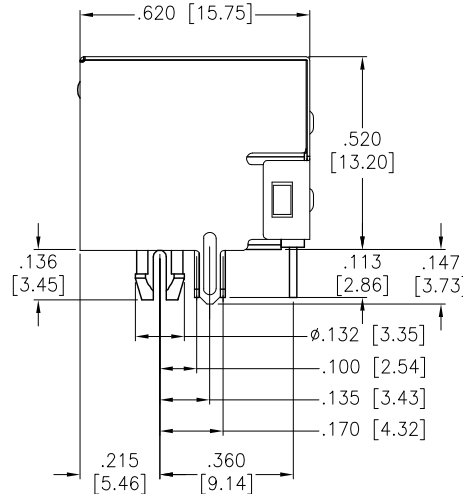
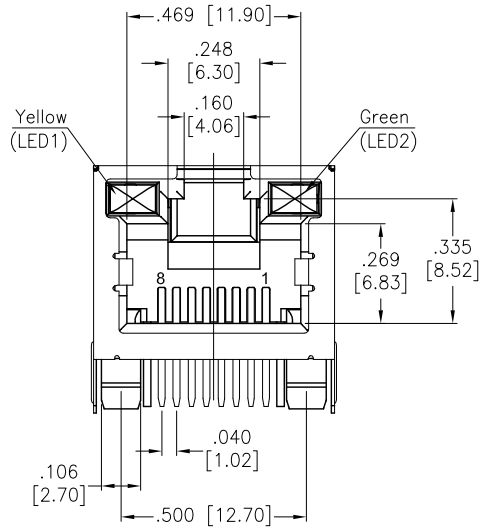
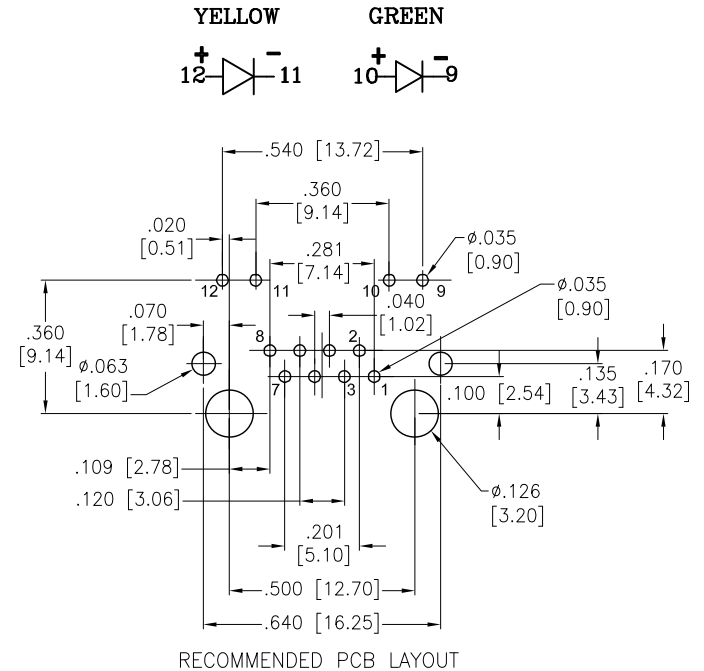


APPROVED: _____
 DATE: _____ TITLE: _____



Rev	AWO #	Description	Date	Appr
-		Released	4/12/04	
A		Added LED polarization marks	08/31/04	BAS
B		REVISED SHAPE	8/27/08	
C		REDRAWN	11/15/11	
D		UPDATE SHAPE	9/11/14	AY/NP
E		UPDATE SPEC.	3/11/15	AY/CH
F		UPDATE SPEC.	4/13/15	HR/LW
G		UPDATE SPEC.	6/17/16	HR/CH
H		ADDED LED CIRCUIT	1/2/19	HR/AC1



SPECIFICATIONS:

Material:
 Insulator: PBT, glass reinforced, rated UL 94V-0
 Insulator color: Black
 Contacts: Phosphor Bronze
 Shield: Brass, Nickel plated
 Plating:
 Round contact
 Gold over Nickel underplate overall
 Flat contact
 Gold over Nickel underplate on contact area,
 Matte Tin over Nickel underplate on solder tails

Electrical:
 Voltage rating: 150 VAC RMS
 Current rating: 1.5 Amp
 Contact resistance: 20 mohms max.
 Insulation resistance: 1,000 Mohms min @ 500 VDC
 Dielectric withstanding voltage:
 Contact to Contact: 1,000 VDC/AC Peak for 1 minute
 Contact to Screen and Test panel: 1,500 VDC/AC Peak for 1 minute

Temperature Rating:
 Operating temperature: -40°C to +85°C
 Environmental:
 Lead free, RoHS compliant.



UNLESS OTHERWISE SPECIFIED
 ALL DIMENSIONS ARE INCHES [MM]
 TOLERANCES: EXCEPT AS NOTED

INCHES		HOLES	
.X	± .10	Ø.X	± .10
.XX	± .020	Ø.XX	± .015
.XXX	± .015	Ø.XXX	± .010

APPROVALS		DATE
DRAWN	SLS	4/12/04
CHECKED		
APPROVED		

ADAM TECH INTERCONNECTS
 909 Rahway Avenue,
 Union, NJ 07083
 Phone: 908-687-5000
 Fax: 908-687-5710

TITLE
 MODULAR TELEPHONE JACK, R/A, 8P8C
 W/ LED1 YELLOW, LED2 GREEN

SIZE	PART NO.	REV.
X	MTJ-88ARX1-FSM-LG	H
REF: S00005C	SCALE: NTS	SHEET 1 OF 1