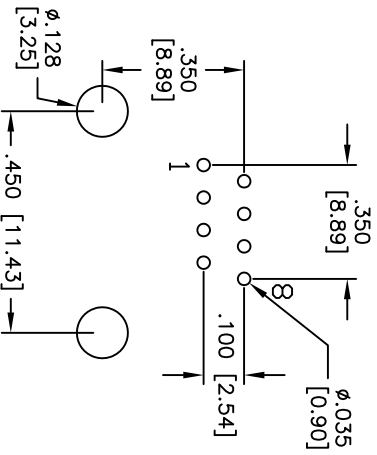
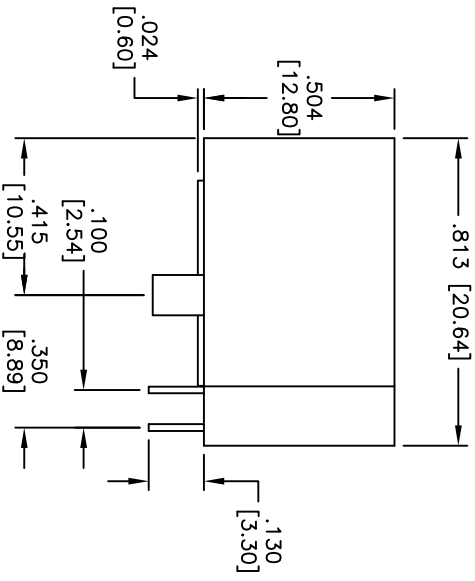
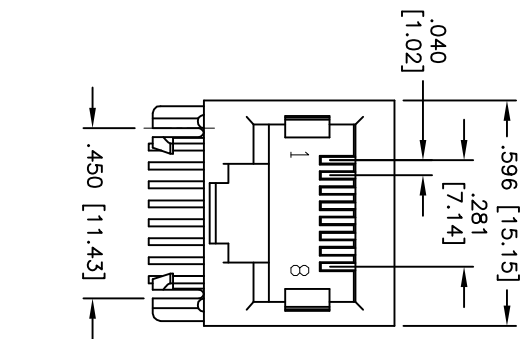
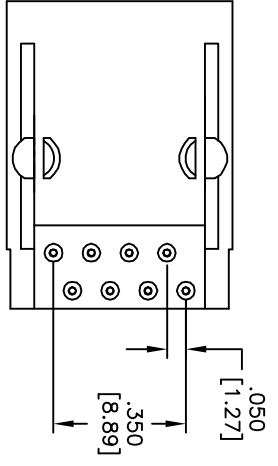


APPROVED: _____
 DATE: _____ TITLE: _____

Rev	AWO #	Description	Date	Appr
-		RELEASED	10/4/04	
A		ADDED ROHS LOGO	02/14/06	
B		REVISED SHAPE	2/11/09	
C		REDRAWN	10/27/10	
D		REVISED SHAPE	7/9/14	AY



Recommended PCB Layout



X	PLATING
0	15 µin Gold
1	30 µin Gold
2	50 µin Gold

SPECIFICATIONS:

Material:

Insulator: PBT, rated UL 94V-0

Insulator color: Black

Contacts: Phosphor Bronze

Plating:

Gold over Nickel underplate on contact area,
 Tin over Copper underplate on PCB tails,
 (See chart for thickness)

Electrical:

Operating voltage: 125 VAC max

Current rating: 1.5 Amps max

Contact resistance: 20 mohms max

Insulation resistance: 1000 Mohms min @ 500 VDC

Dielectric withstanding voltage: 1000 VAC for 1 minute

Temperature Rating:

Operating temperature: -40°C to +85°C

Environmental:

Lead free, RoHS compliant.



UNLESS OTHERWISE SPECIFIED
 ALL DIMENSIONS ARE INCHES [MM]
 TOLERANCES: EXCEPT AS NOTED
 INCHES

	HOLDS	DATE
.X	± .10	± .10
.XX	± .020	± .015
.XXX	± .015	± .010

APPROVALS

DRAWN	SS	DATE
		10/4/04

CHECKED

APPROVED

ADAM TECH

909 Railway Avenue, Union, NJ 07083
 Phone: 908-687-5000 Fax: 908-687-5710

TITLE: MODULAR TELEPHONE JACK, 8P8C
 RIGHT ANGLE, PCB

SIZE	PART NO.	REV.
X	MTJ-88GX1	D

REF: S0005C SCALE: NTS SHEET 1 OF 1