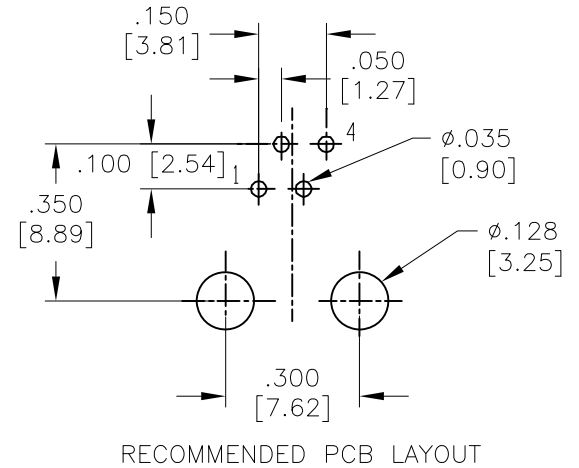
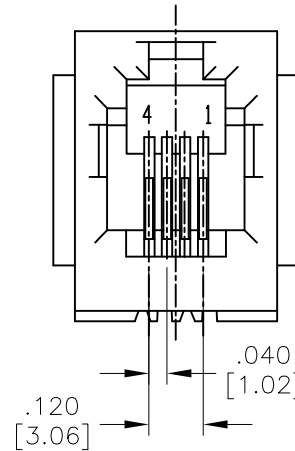
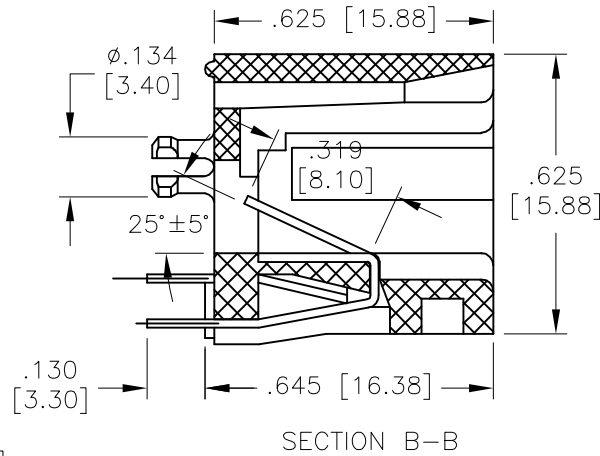
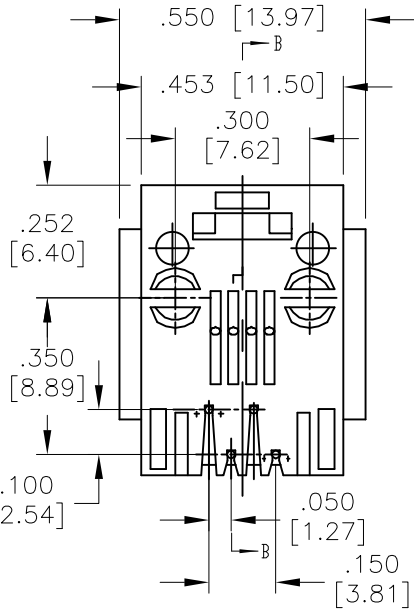


APPROVED: \_\_\_\_\_  
 DATE: \_\_\_\_\_ TITLE: \_\_\_\_\_

Rev	AWO #	Description	Date	Appr
-	-	RELEASED	10/4/04	
A		ADDED 1.91 DIMENSION	01/24/07	
B		REDRAWING	6/20/08	
C		UPDATE SPEC.	7/19/19	AY/IW
D		UPDATE DRAWING	3/30/20	LH/DH



**SPECIFICATIONS:**

Material:  
 Insulator: PBT, rated UL 94V-0  
 Insulator color: Black  
 Contacts: Phosphor Bronze  
 Plating:  
 Round contact  
 Gold over Nickel underplate overall  
 Flat contact  
 Gold over Nickel underplate on contact area  
 Tin over Nickel underplate on solder tails  
 Electrical:  
 Voltage rating: 150 VAC rms  
 Current rating: 1.5 Amp  
 Contact resistance: 20 mohms max  
 Insulation resistance: 1000 Mohms min @ 500 VDC  
 Contact to Contact: 1,000 VDC or AC Peak for 1 minute  
 Temperature Rating:  
 Operating temperature: -40°C to +85°C  
 Environmental:  
 Lead free, RoHS compliant.



UNLESS OTHERWISE SPECIFIED  
 ALL DIMENSIONS ARE INCHES [MM]  
 TOLERANCES: EXCEPT AS NOTED  
 INCHES HOLES  
 .X ±.10 Ø.X ±.10  
 .XX ±.020 Ø.XX ±.015  
 .XXX ±.015 Ø.XXX ±.010

**ADAM**  
**TECH**  
**INTERCONNECTS**

909 Rahway Avenue,  
 Union, NJ 07083  
 Phone: 908-687-5000  
 Fax: 908-687-5710

APPROVALS		DATE
DRAWN	SS	10/4/04
CHECKED		
APPROVED		

TITLE MODULAR TELEPHONE JACK, 4P4C TOP ENTRY, PCB		
SIZE X	PART NO. MTJ-443X1	REV. D
REF: S00005C	SCALE: NTS	SHEET 1 OF 1