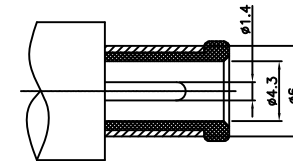
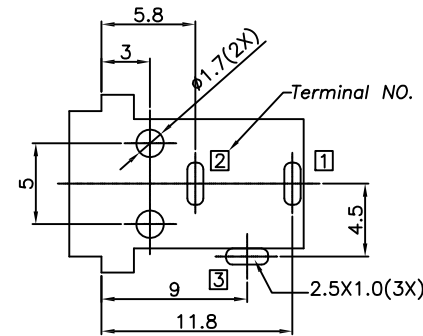
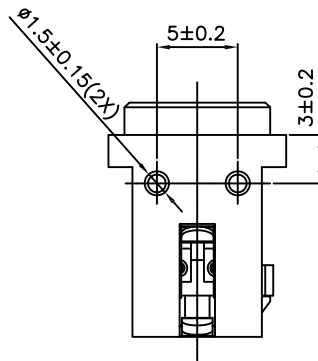
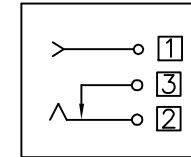
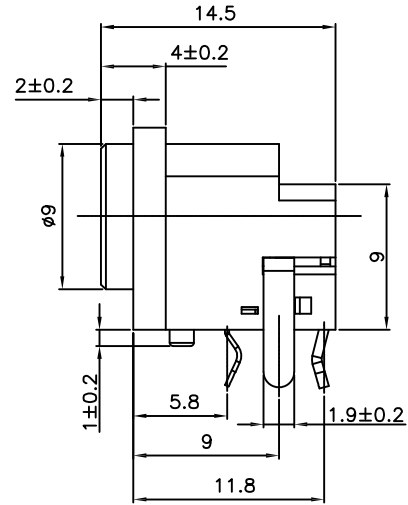
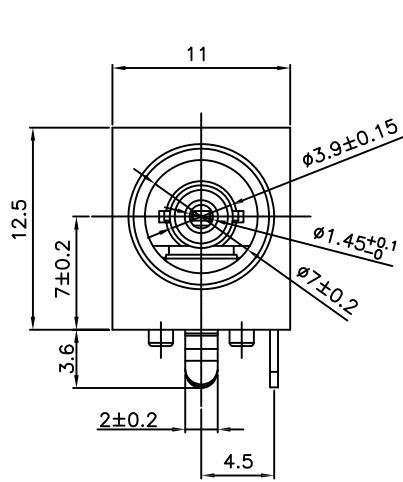


APPROVED: _____
 DATE: _____ TITLE: _____

Rev	AWO #	Description	Date	Appr
-		RELEASED	7/7/8	
A		REDRAWN	4/8/11	
B		UPDATED DRAWING	11/16/18	HR/AC1



DC MATE PLUG

RECOMMENDED PCB LAYOUT

SPECIFICATIONS:

Material:
 Insulator: PA66, rated UL 94V-0
 Insulator color: Black
 Center Pin: Copper Alloy
 Contacts: Copper Alloy
 Plating:
 Silver over Copper underplate overall
 Electrical:
 Rating: 30VDC, 2A
 Contact resistance: 30 mohms max.
 Insulation resistance: 100 Mohms min @ 500 VDC.
 Dielectric withstanding voltage: 500 VAC
 Temperature Rating:
 Operating temperature: -20°C to +70°C
 Environmental:
 Lead free, RoHS compliant



UNLESS OTHERWISE SPECIFIED ALL DIMENSIONS ARE MILLIMETERS TOLERANCES: EXCEPT AS NOTED MM ANGLE		ADAM TECH 909 Rahway Avenue, Union, NJ 07083 Phone: 908-687-5000 Fax: 908-687-5710	
APPROVALS		DATE	
DRAWN	SS	7/7/08	
CHECKED			
APPROVED			
TITLE		1.45mm DC POWER JACK, RIGHT ANGLE	
SIZE	PART NO.	REV.	
X	ADC-039-6	B	
REF:	S00002C	SCALE:	NTS
		SHEET 1 OF 1	